



本产品含有小零件请勿让三岁以下儿童玩耍；本品含电子元件，不得入水或在潮湿环境下使用；电池充电器应定期检查其电线、插头、外壳和其他部件是否损坏，发现损坏时应停止使用。

Choking hazard! This product contains small parts. NOT suitable for children under 3 years. Contains electrical components and should be kept dry at all times. Regularly check the battery charger wires, plugs and shell and other components for damage. DO NOT use if any part is damaged.

注意事项 (Caution proceeding)

1. 可拆卸的小零件要放好，千万不可让小孩吞食。
 2. 如操作场地有电波干扰，请另选场地操作。
 3. 遥控器电源低电时，请立即停止操作。
 4. 对拆除后的包装物，请不要随地丢弃，以免污染环境。
 5. 请将您的遥控模型存放在干燥，阴凉的地方。
 6. 不要置于近火和高温、潮湿的地方储存。
 7. 当电池被水浸湿，请将水分充分地擦拭干净，如有变形，请停止使用。
1. Detachable small parts should be stored safely and out of reach of children.
2. If interference is experienced, turn the model off and try it again in a different area.
3. Remote control will not function correctly if the batteries are low. Please replace the batteries.
4. Please discard old/used batteries in a safe manner. Consider your environment!
5. Please store the remote control in cool, dry place.
6. DO NOT expose to fire or high temperatures, moist storage.
7. Should the battery get wet, wipe immediately with a soft dry cloth. If transformed, please stop usage.

电池使用注意事项(Battery use caution proceeding)

- 1、车体使用一组Li-Po 7.4V可充电电池组；
 - 2、遥控器使用4节1.5V“AA”号电池；
 - 3、安装或更换电池时请注意极性；
 - 4、充电电池只能在成人监护下充电；
 - 5、不可混用新旧或不同型号的电池；
 - 6、电池电量用尽后，应从模型内取出；
 - 7、接线端不应短路；
 - 8、非充电电池不可充电；
 - 9、充电电池充电前应从模型中取出；
 - 10、请不要将坏的电池、电池组分解或扔到火中、水里，以免发生意外；
 - 11、充电器的额定输入电压必须与当地的家用电压相符；
 - 12、在充电过程中，充电器和电池出现微温，属于正常现象。
1. Bodywork uses a set of Li-Po 7.4V rechargeable batteries.
2. Remote control uses 4x1.5V "AA" batteries.
3. Please pay attention to correct polarity when replacing batteries.
4. Rechargeable batteries should be charged under adult supervision.
5. DO NOT use a mix of old and new or different types of battery.
6. After the battery is exhausted, the model should be removed.
7. DO NOT short circuit any terminals.
8. DO NOT attempt to recharge non rechargeable batteries.
9. Remove batteries from the model when recharging.
10. DO NOT put batteries into a fire or into water.
11. The rated input voltage battery charger MUST be suitable for your mains power voltage.
12. During charging it is quite normal for the charger and batteries to heat up.

安全注意事项

<SAFETY PRECAUTIONS>

- 此无线遥控模型并非玩具!
It is a radio control model, not a toy!
- 操作前要完成装配,以便可享受到更多的乐趣。操作后要做维护工作,替换零件和自选零件可分开用。
In order to enjoy running the car, you need to finish assembly before operation. Do routine maintenance work after operation. Replacement parts and option parts are available separately.
- 干电池或充电电池的不适当使用,会损害车或无线电的系统。
Improper usage with Alkaline cells or rechargeable batteries may damage the electronics for the car or the radio.

为了安全地操作此模型,请遵守以下规定:

<IN ORDER TO OPERATE THE CAR SAFELY, BE SURE THAT YOU HAVE OBSERVED THE FOLLOWING POINTS:>



为了避免发生事故(对车和人而言),请遵循以下各项。

Please follow the points as below in order to prevent accident from happening to the car and people.



- 开始组装前,须彻底阅读说明书。为了正确地装配模型,首次装配者应请教有操作经验的人。
Be sure to read thoroughly the manual before you begin. Fresh user should seek advice from people having rich experience in order to assemble the model correctly.



- 勿反接或分解电池,这会导致电池的破损或漏液。
Never reverse connection/disassemble the battery. This may lead to damage and leakage.



- 产品含有小且尖锐的零件,所以在装配和贮藏时,要放在儿童摸不到的地方。
As the product contains small and sharp parts, assemble and store this product only in places out of the reach of children.



- 勿在公共车道或人群拥挤的地方操作模型,以免发生意外事故。
Do not operate the model on public roads, in crowded places and near infant as it may cause accidents.



请遵循以下操作步骤,以免你的身体受到伤害或损害到材料的特性。

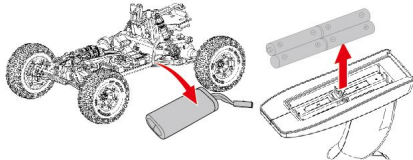
Please follow the following steps to operate, in order to prevent hurt to your body or damage of material property.



- 刀具,镊子,螺丝等需小心处理。
Cutters, nippers and screwdrivers need careful handling.



- 涂装时,必须在通风设备好的地方。
It must be in good ventilation equipment when paint.



- 当模型不使用时,先关闭模型车、后关遥控器电源。此外,断开模型车的电池连接,并从遥控器中取出电池,以免电池过放或漏液。

When the model is not in use, always turn off the power of model car first, and then turn off the transmitter. Further more, disconnect the batteries of model car and remove all the batteries from the transmitter. This may be dangerous such as excessive placed and leakage.



- 勿与他人同时使用同一频率! 否则信号会发生混乱,车子会失控,可能导致事故发生。(2.4G系统对频时不要同时或太近同他人一起对频操作)

Never share the same frequency with somebody else at the same time, Radio signals will be mixed and you will lose control of your model. This may lead to accidents. (When 2.4G system match frequency, don't operation at the same time or close to another person.)



●勿把模型存放在高温,潮湿及阳光直射的地方。
Do not expose this model to high temperature, humidity or direct sunlight.

安全操作模型(OPERATING YOUR MODEL SAFELY)



警告:
WARNING

不可在以下地方或情形下使用本车(不遵循操作惯例可能会导致事故发生)
Do NOT operate the model in the following places and situations. (Non-observance may lead to accident!)

- 只可在空旷无人的地方使用本车!
勿在以下地方使用本车:

Operate your model in spacious areas ONLY with few people around! Do not operate it:

- 1、公路上。
 - 2、儿童或人群聚集的地方。
 - 3、生活区公园里。
 - 4、室内或空间有限的地方。不遵循操作惯例可能会导致人身伤害或财产损失!
- 1、On road!
 - 2、In places where children and many people gather!
 - 3、In residential districts and parks!
 - 4、Indoors and in limited space! Non-observance may result in personal injury and property damage!

- 当车子行动异常时立即停止使用并检查其原因。
The car must stop immediately and check for the reasons when it is operating abnormal.

只要车子故障未被消除,则不能使用车子。否则可能会出现更大的故障,并发生意外事故。
As long as the problem is not cleared, do NOT operate it! This may lead to further trouble and unforeseen accidents!

- 须经常检查无线电装置的干电池!
Always check the radio dry batteries!

若电池电量不足,发射和接收效果将不理想。在这种情况下,车子可能会出现失控现象,也可能导致严重事故!

With weak dry batteries, transmission and reception of the radio would fall off. You may lose control of your model in such condition. This may also cause serious accidents!!



- 保持警惕,周围可能有人也在操作模型车!
Keep in mind that people around you may also operate a radio control model!

勿与他人同时使用同一频率!否则信号会发生混乱,车子会失控,可能导致事故发生。

NEVER share the same frequency with somebody else at the same time! Otherwise, Radio signals will be mixed up and you will lose control to your model. This may lead to accidents.



警告:
WARNING

为了避免发生事故或受伤,请遵守以下规定:

In order to avoid accidents and personal injury, be sure that you have observe the following points:

- 电池的安全:

The safety of battery

- 1、将耗尽电量的电池交给专门的环保部门处理!
- 2、非充电电池禁止充电,否则可能有爆炸的危险!
- 3、不可将电池扔进火源里,否则可能引起电池爆炸!
- 4、不可吞咽电池!
- 5、将电池放在凉爽、干燥避光及小孩接触不到的地方!
- 6、电池漏液而且滴到眼睛里,请马上用大量的清水清洗,然后到附近的医院就医。

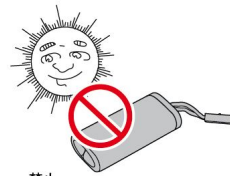
- 1、Exhaust battery should be safety dispose!
- 2、Non rechargeable batteries are not to be recharged, there is danger of explosion!
- 3、Do not throw the of battery into a fire! There is danger of explosion!
- 4、Do not swallow battery!
- 5、Store only in cool, dry and dark places and should be keep out of the children!
- 6、When the battery leaks the liquid and let it into you eyes, please right away rinse them and consult an ophthalmologist.

- 不可将手指或其他物体放进正在旋转或移动的部分中。

Do NOT put fingers or any objects inside rotating and moving parts!

- 刚使用完毕时,勿触摸马达,因有烫伤危险!

Right after use, do NOT touch the motor! Danger of burning yourself!!



禁止
(PROHIBITED)



禁止
(PROHIBITED)



禁止
(PROHIBITED)

内容(Contents)

包含以下配件

Included the following parts

- 7.4V 1500 mAh
7.4V 1800 mAh (另购)
大倍率锂电池
7.4V 1500 mAh
7.4V 1800 mAh (Not included)
Large power Li-Ion battery



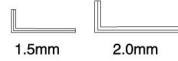
- 智能充电器
Intelligent
Charger



- 十字扳钳(小的)
Cross
Wrench(small)



- 六角扳手
Hexagonal
wrench



- 遥控器用的4节
AA碱性电池需
要另购。
4x"AA" Alkaline
batteries for transmitter
(Not included)



- 钻粒螺丝
Shot screw



M3x4

- 一体式差速齿轮
Monocoque differential gear

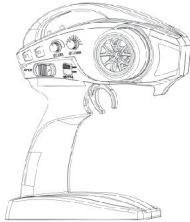


22T

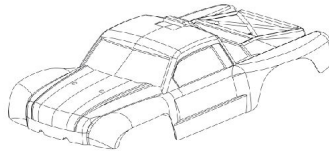
24T

26T

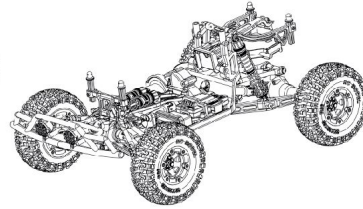
- 遥控器
Transmitter



- 车壳
Body



- 1:12 4WD 模型
1:12 4WD model



无线电接收装置(About the Radio)

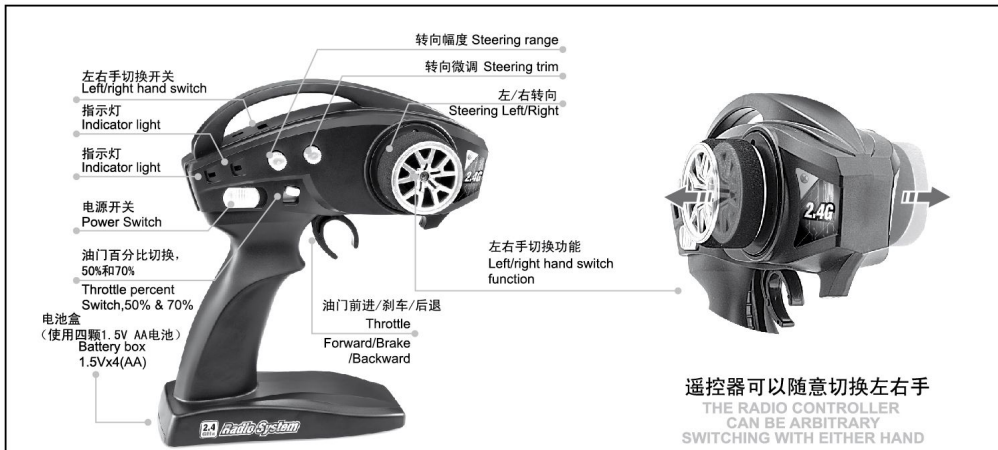


注意(Attention)

必须使用附带的遥控器控制车子。

The tansmitter must use the attached to control the car.

本公司为模型车配置了一个新式遥控器。请仔细阅读说明书上的操作内容。下列是遥控器各功能的说明。
Our company has been configured a new-style transmitter for model car. Please read the instruction manual carefully. The following is the transmitter's description of all functions.

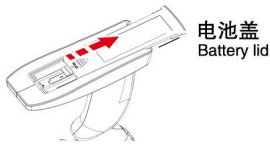


遥控器可以随意切换左右手
THE RADIO CONTROLLER
CAN BE ARBITRARY
SWITCHING WITH EITHER HAND

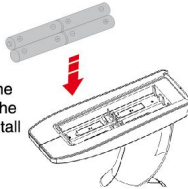
遥控器的装配(Assembly of the transmitter)

1 装入电池 (Loading Batteries)

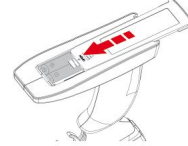
- ①、移开电池盖
Remove the battery lid



- ②、如图所示，装入4粒AA号碱性电池。并注意电池正负极是否正确装入。
Load 4 AA-size Alkaline batteries as shown in the illustration. Caution: install batteries with correct polarity.

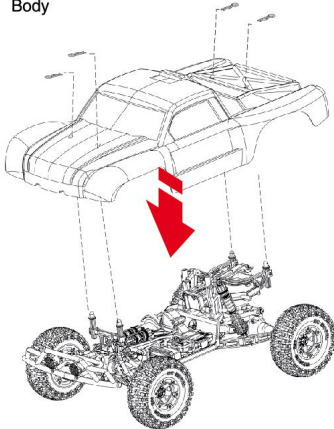


- ③、如图所示合上电池盖。
Replace the lid as shown.

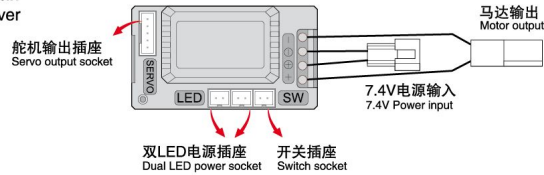


底盘的装配(Assembly of the chassis)

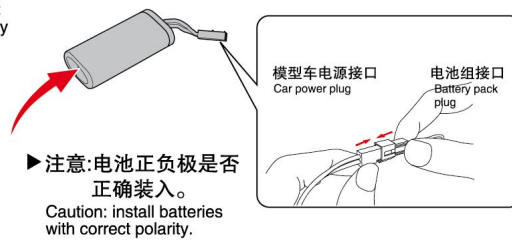
车身
Body



接收器
Receiver



电池安装
Install battery



操作前的检查(Pre-Run Check)

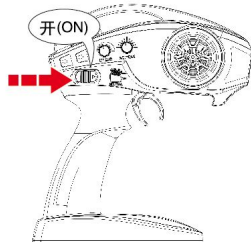
⚠ 注意(Cautions):

- ▶ 每次操作应先打开遥控器开关后再打开车子底盘开关。
Always first switch ON the power switch of the transmitter and then switch ON the power switch of chassis on the car before use.
- ▶ 关闭控制模型前应先关闭车子底盘开关,后再关闭遥控器开关。
Switch OFF the power switch of chassis and then switch OFF the power switch of the transmitter after playing.
- ▶ 如果长时间不使用模型,请取出所有电池。
Remove all batteries when it's not used for a long time.
- ▶ 如果无法遥控时,需将产品重新对频设置。
When can not be controlled,you need to set the match frequency again.

每次行驶前都要检查 (Check every time before running)

1 遥控器 (开关)

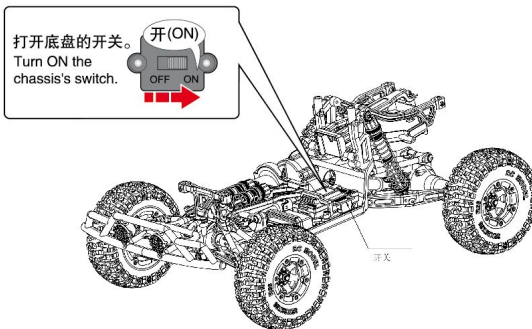
Transmitter (Switch)



- ▶ 打开遥控器开关
Open power switch
on the transmitter.

2 底盘 (开关)

Chassis (Switch)

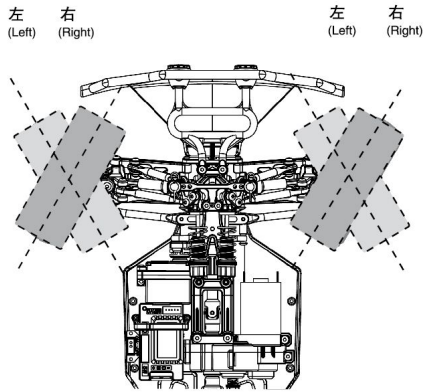
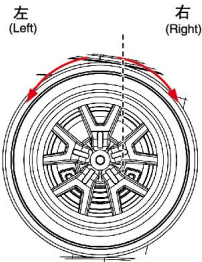


3 检查操作

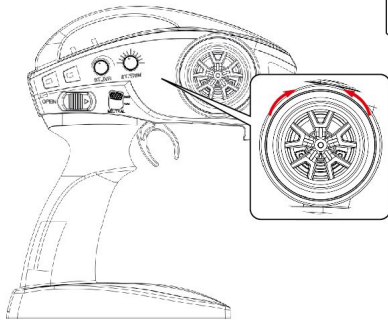
Check operation

- ▶ 转动方向盘,看车前轮是否正确移动。
Operate the steering wheel to check if the front tires move correctly.

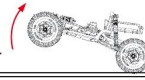
车前轮的运转是随着方向盘的调整而改变的。如果方向盘一直向左或向右转,前轮也随着方向盘向左或右转。
Amount of front tire movement varies according to the amount of the steering wheel movement. If the wheel is turned all the way left or right, the front tires will also steer all the way left or right.



4 转向微调旋钮(Steering Trim Knob)



► 在进行方向微调时，确认车前轮悬在空中。
Keep the front tires in the air while adjusting the steering trim.



► 调整车前轮的左右方向。
For adjusting the front tires left and right.

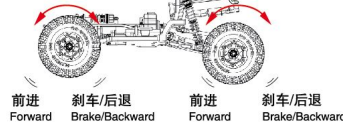
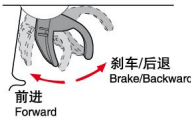
► 当转向微调旋钮处在空档位置时，如果车前轮不能直线行走的，请微调转向微调旋钮。
Precisely adjust the steering trim in case the front tires are not straight when the steering wheel is placed at neutral position.

► 行走时再度调整转向微调旋钮。
Adjust again when running.

5 检查油门(Check Throttle)

用手指向后扣动遥控器扳机，模型车对应向前行驶；用手指向前撑开遥控器扳机，模型车对应刹车和后退。(用手指撑开遥控器扳机第一次为刹车，松手待扳机归中后再撑开第二次为后退。)

Push the controller trigger to backwards by finger, the model will forward; Push open the controller trigger to forward by finger, the car will brake and go backward. (Push open the controller trigger the first for the brake by finger, after loosening the hand and the trigger return to center, push open the second for backwards.)



6 对频程序(Frequency matched procedure)

1. 首先打开接收器开关，红灯闪烁，系统进入对频状态。

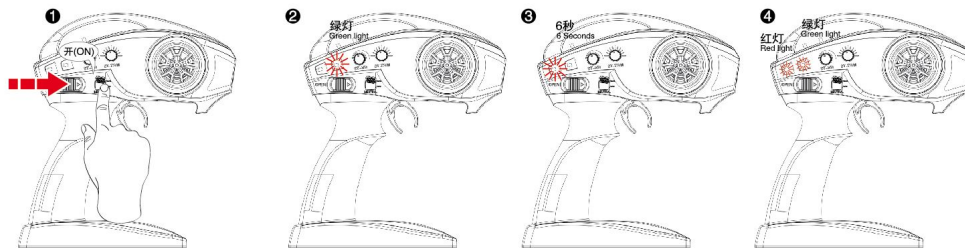
Switch on the receiver first, the red light flashing, and the system will into the frequency matched state.

2. 再打开遥控器开关，静待6秒钟，红绿灯同时亮起。

Then open the RC controller switch and wait for 3 seconds, the red and green lights flashing at the same time.

3. 对频工作完成。

The frequency matched work is done.



维护(Maintenance)

在你不使用车之前，应把电池从电池座上取出。
Remove the batteries on the battery seat when you do not use the car.

擦去灰尘和油。
Wipe off the dust and oil.

检查所有的螺丝是否松掉。
Checking if all screws are loose or not.

给所有活动的零件涂上润滑油。
Apply lubricating oil to all the moving parts.

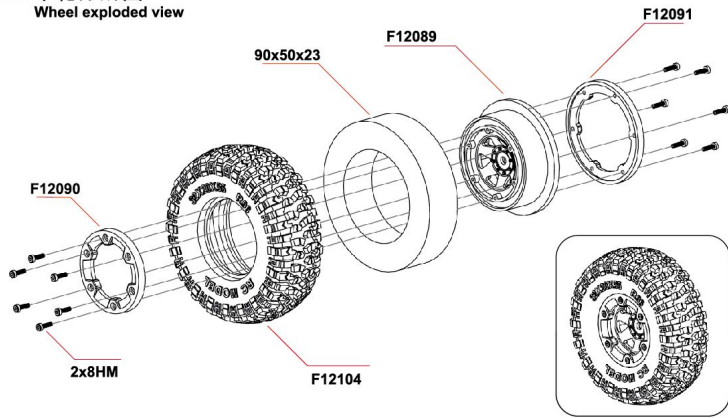
把电池从遥控器中取出。
Take out the battery from the controller.

FY-01 部件分解图(Parts exploded view)

2x8HM

1 车轮分解图

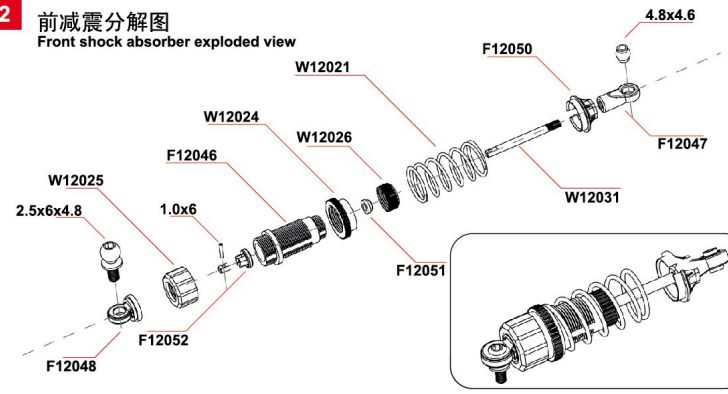
Wheel exploded view



2.5x6x4.8

2 前减震分解图

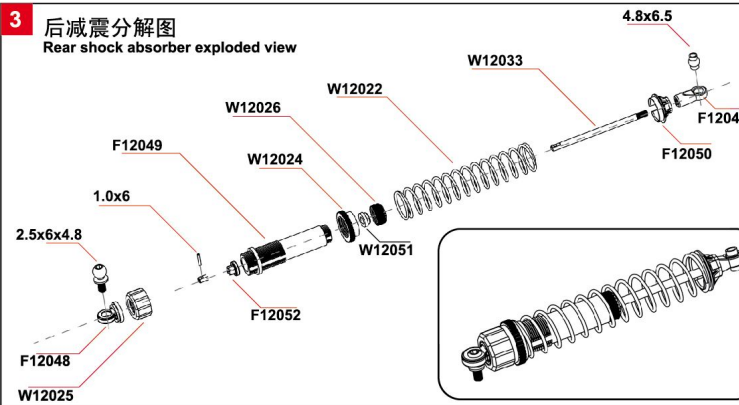
Front shock absorber exploded view



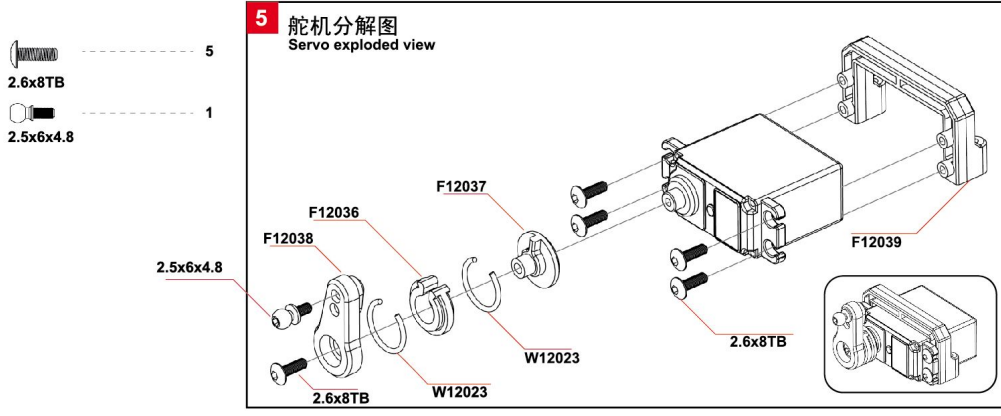
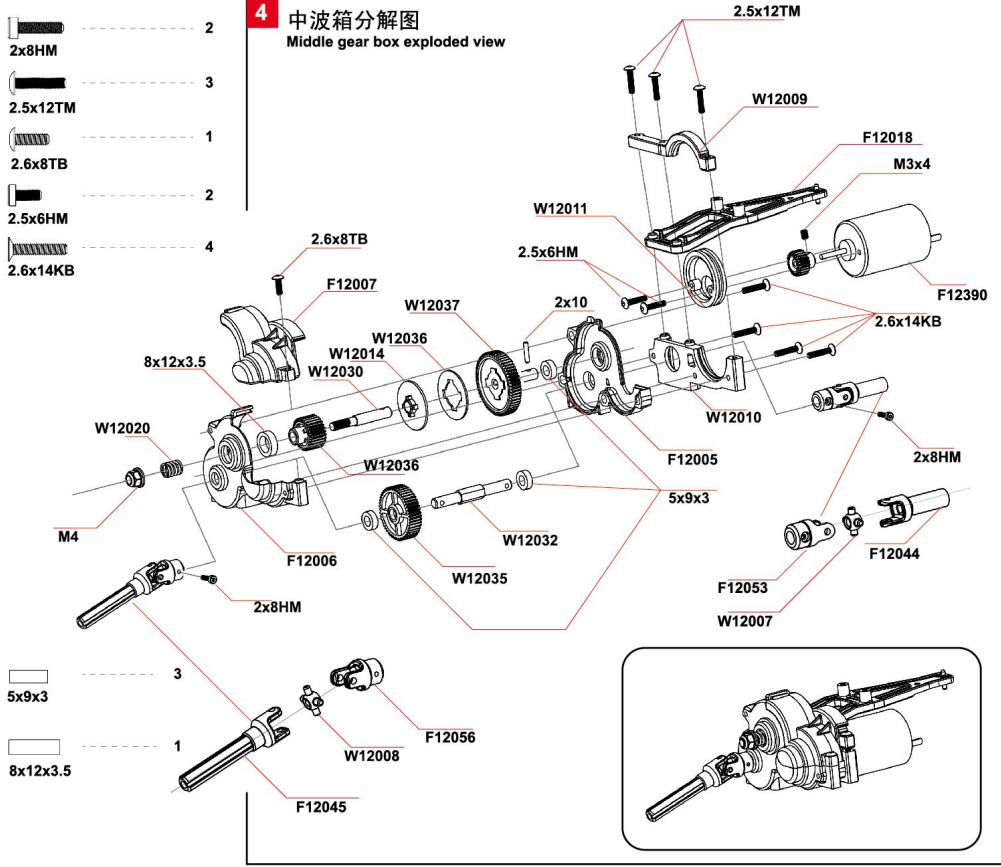
2.5x6x4.8

3 后减震分解图

Rear shock absorber exploded view



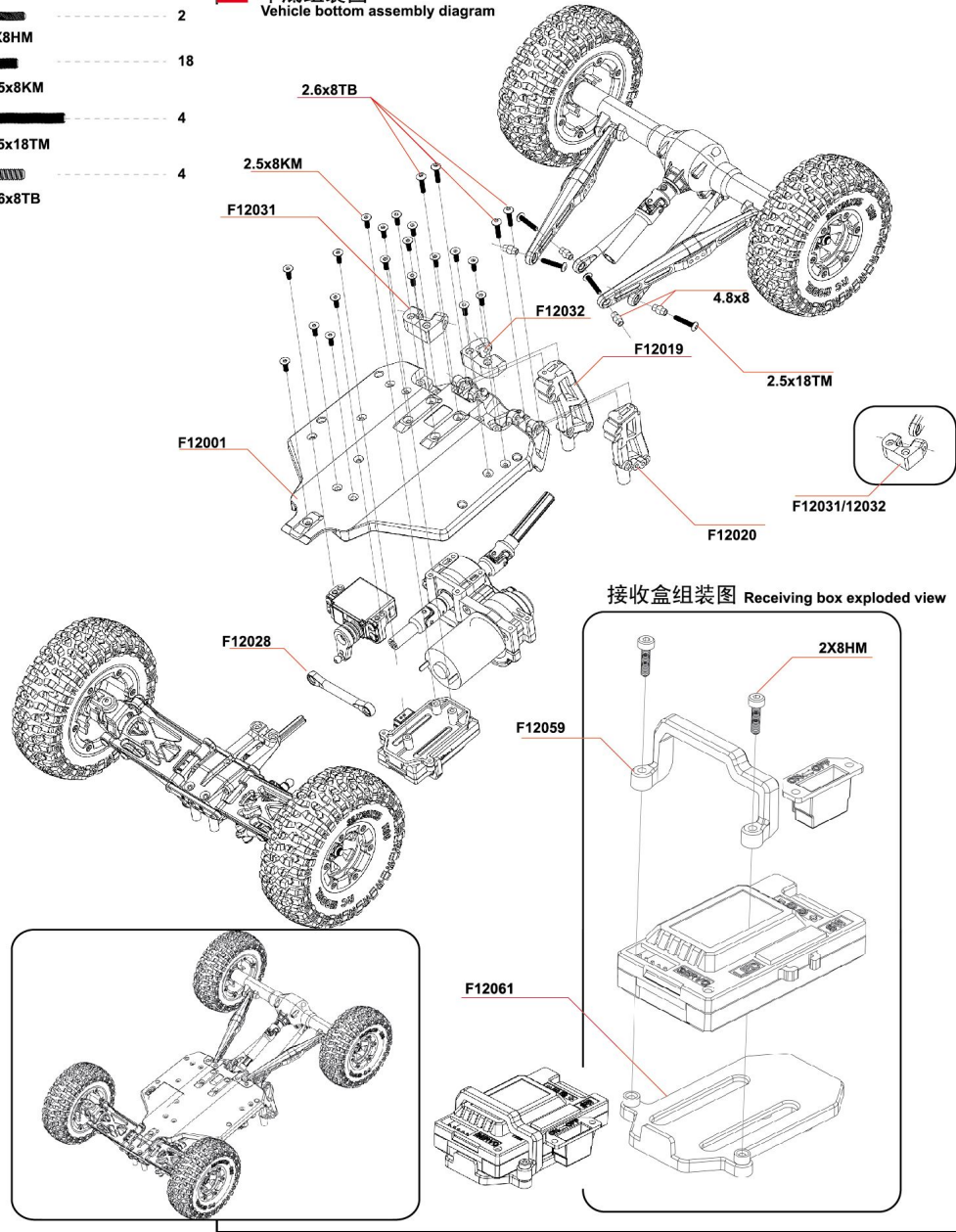
FY-01 部件分解图(Parts exploded view)



FY-01 车底组装图 (Vehicle bottom assembly diagram)

9 车底组装图
Vehicle bottom assembly diagram

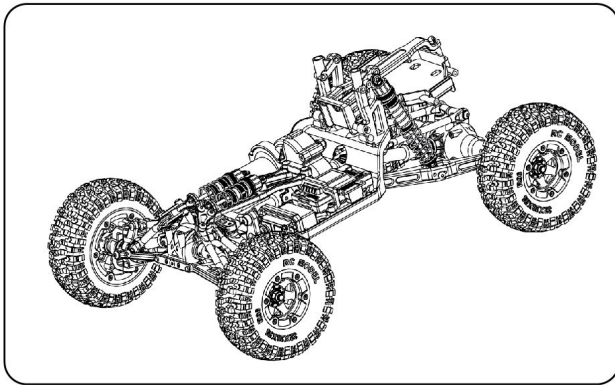
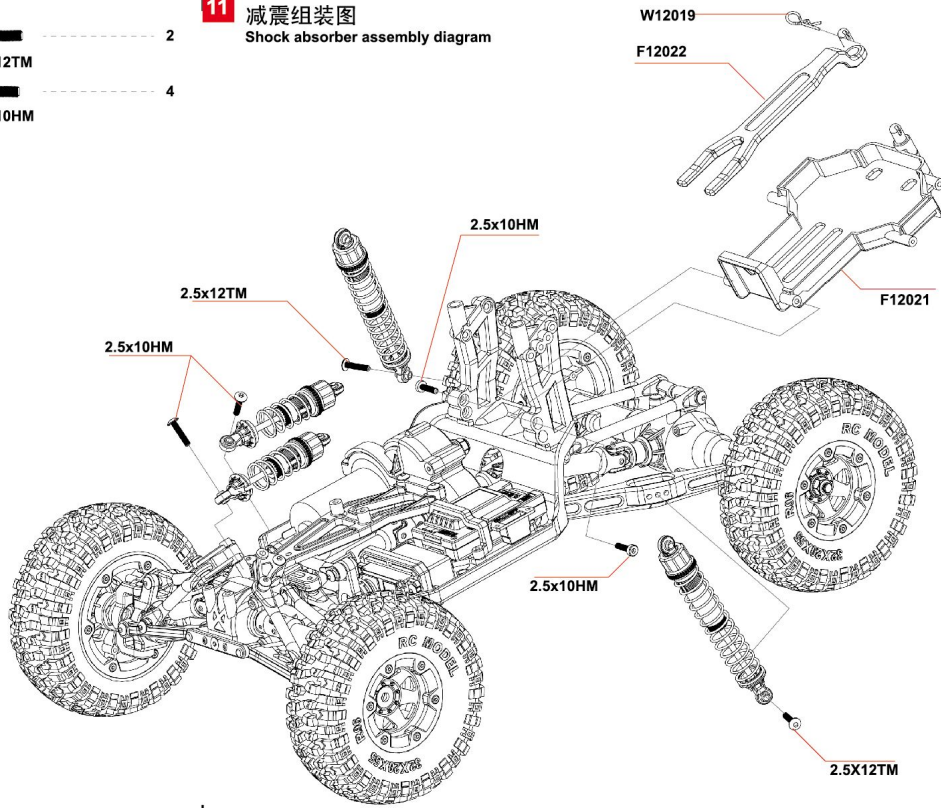
- 2X8HM ----- 2
- 2.5x8KM ----- 18
- 2.5x8KM ----- 4
- 2.5x18TM ----- 4
- 2.6x8TB ----- 4





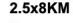

FY-01 部分组件组装图 (Part of the component assembly diagram)

11 减震组装图 Shock absorber assembly diagram

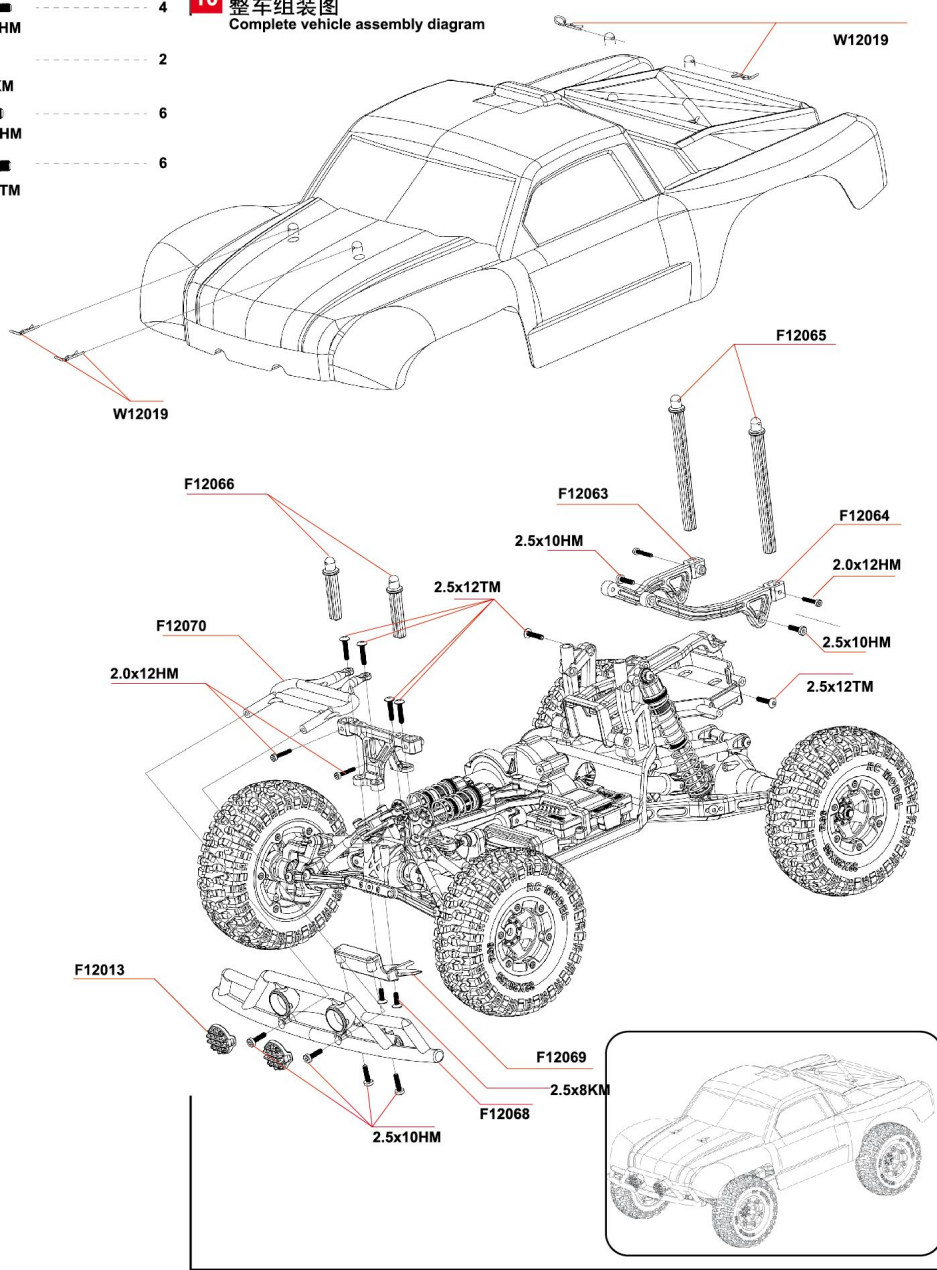
- 2.5x12TM ----- 2
- 2.5x10HM ----- 4



FY-01 整车组装图 (Vehicle bottom assembly diagram)

-  4
-  2
-  6
-  6

10 整车组装图 Complete vehicle assembly diagram



配件表 (Parts list)

零件表 (Parts list)

 <p>F12001 车底 Vehicle bottom</p>	 <p>F12005-006-007 中波箱配件 Medium gear box parts</p>	 <p>F12023-024 前波箱配件 Front gear box parts</p>	 <p>F12002-003-004-030 后桥波箱配件 Rear axle gear box parts</p>	 <p>F12021-022 电池座 Battery holder</p>
 <p>F12014-015 摇臂 Rocker arm</p>	 <p>F12008-009 万向座 Universal socket</p>	 <p>F12010-011 万向节 Universal joint</p>	 <p>F12033-042 转向配件 Steering part</p>	 <p>F12016-017 后桥主梁 Rear axle main girder</p>
 <p>F12018 二楼板 The second floor</p>	 <p>F12019-020 避震架 Shock frame</p>	 <p>F12034-035 羊角 Cavel</p>	 <p>F12031-032 后桥固定件 Rear axle fixed part</p>	 <p>F12040-041 后连接杆固定件 Rear joint lever fixed part</p>
 <p>F12039 舵机固定件 Servo fixed part</p>	 <p>F12102 车架防撞固定件 Frame anti-collision fixed part</p>	 <p>F12069 防撞固定件 Anti-collision fixed part</p>	 <p>F12066 支柱 (短) Pillar(S)</p>	 <p>F12067 支柱 (长) Pillar(L)</p>
 <p>F12063-064 后车壳支架 Rear shell bracket</p>	 <p>F12067 前车壳支架 Front shell bracket</p>	 <p>F12068-070-013 前防撞 Front anti-collision</p>	 <p>F12101-013 车顶灯座 Roof lamp holder</p>	 <p>F12012-013 前灯座 Front lamp holder</p>
 <p>F12028 摇臂连杆 Rocker arm linkage</p>	 <p>F12027 转向连杆 Steering linkage</p>	 <p>F12025 前避震连杆 Front shock linkage</p>	 <p>F12026 后桥连接杆 Rear axle joint lever</p>	 <p>W12035-036-037 传动齿轮 drive gear</p>

配件表

五金类 (Hardwares)

 <p>W12009-070-011</p>	 <p>W12034</p>	 <p>2.5X38X5个</p>	 <p>W12012-013</p>	 <p>W12014</p>
电机固定座 Motor block	后桥轴 Rear axle shaft	钉头轴 Nail head shaft	摇臂加强片 Rocker arm bracing sheet	离合压片 clutch pressure disc
 <p>FY-T22/T24/T26</p>	 <p>W12032</p>	 <p>W12030</p>	 <p>W12006</p>	 <p>8X12X3.5</p>
电机齿轮套装 Motor gear set	波箱轴 Wave box shaft	离合轴 Clutch shaft	六角套 Hexagon set	滚珠轴承 Ball bearing
 <p>5X9X3</p>	 <p>4.8X4.6</p>	 <p>4.8X6.5</p>	 <p>4.8X8</p>	 <p>2.5X6X4.8</p>
滚珠轴承 Ball bearingt	球头套 Ball link	球头套 Ball link	球头套 Ball link	内六角球头螺丝 Hexagonal ball screw
 <p>W12019</p>	 <p>4X6+3X8TB</p>	 <p>4X5.2+3X5TM</p>	 <p>2.0X8HM</p>	 <p>2.0X22PB</p>
插销 Pin	内六角T头自攻 Hexagonal T head tapping	内六角T头机丝 Hexagonal T head machine silk	内六角杯头机丝 Hexagonal cup head machine silk	十字头半牙自攻 Crosshead half tooth tapping
 <p>2.5X18TM</p>	 <p>2.5X14TM</p>	 <p>2.5X6HN</p>	 <p>2.5X8KM</p>	 <p>2.5X12TM</p>
内六角T头机丝 Hexagonal T head machine silk	内六角T头机丝 Hexagonal T head machine silk	内六角杯头机丝 Hexagonal cup head machine silk	内六角平头机丝 Hexagonal flat head machine silk	内六角T头机丝 Hexagonal T head machine silk
 <p>2.0X8KM</p>	 <p>2.6X14KB</p>	 <p>2.0X12HM</p>	 <p>2.0X14KM</p>	 <p>4X22PM</p>
内六角平头机丝 Hexagonal flat head machine silk	内六角平头自攻 Hexagonal flat head tapping	内六角杯头机丝 Hexagonal cup head machine silk	内六角平头机丝 Hexagonal flat head machine silk	十字头T头机丝 Crosshead half T head machine silk

配件表 (Parts list)

2.6X8TB



内六角T头自攻
Hexagonal T head tapping

2.5X10HM



内六角杯头机丝
Hexagonal cup head machine silk

M4



螺母
Nut M4

组件表 (Components list)

FY-CL01



车轮01
Wheel 01

FY-BZ01



避震01
Shock 01

FY-BZ02



避震02
Shock 02

FY-CD01



轮轴传动
Axle transmission

FY-CD02



前轮传动
Front wheel transmission

FY-CD03



后轮传动
Rear wheel transmission

FY-HCS01



后差速器总成
Rear differential assembly

FY-QCS01



前差速器总成
Front differential assembly

FY-LH01



离合器
Clutch

FY-ZBX01



中波箱
Medium gear box

FY-HC01



缓冲器
Bumper

FY-CK01



车壳01
Body shell 01

FY-CK02



车壳02
Body shell 02

FY-CK03



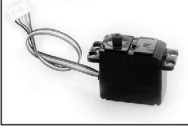
车壳03
Body shell 03

FY-TX01



遥控器
Transmitter

FY-DJ01



舵机
Servo

FY-CHA01



充电器
Charger

FY-M390



390高速马达
390 High speed motor

FY-7415



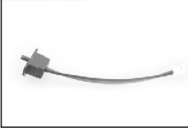
7.4V 1500mAh锂电池
7.4V 1500mAh lithium battery

FY-RX01



接收盒
Receiver box

FY-KG01



开关
Switch

注：所有配件如有变更恕不另行通知，请以实际销售为准。

Remarks: All parts are subject to change without prior notice, please refer to our actual sales.



2.4GHz全比例同步遥控系统
2.4G 2CH full scale synchronous RC system

FIGHTER

SPECIALLY DESIGNED FOR COMPETITION!

模型车说明书

Model car operation manual

FY-01

(1/12全比例高性能短途越野卡车)
(1/12 Full scale high-performance short off-road truck)



- 初次装配者，如果不明白每一步骤说明，应在装配前，请教有经验的人。
First-time builder should seek advice from people having building experience in order to assemble the model correctly and to produce its performance to full extent.
- 装配工具箱应放在儿童摸不到的地方。
Assemble this kit only in places out of children's reach.
- 操作此模型时应有高度警惕。
Take enough safety precautions prior to operating this model.
- 你应为此模型的安全操作负责任。
You are responsible for this model's assembly and safe operation.
- 在完成组装之后，请保存此安装手册，以备将来所用。
Always keep its instruction manual ready at hand for quick reference, even after completing the assembly.
- 警告：此模型并非玩具，不适合14岁以下的儿童操作。
Warning: This model is not a toy, not suitable for children under 14 years old.
- 产品规格及参数仅供参考。
The product specifications and parameters may vary from the illustration on the package.
- 产品若有任何改变，恕不另行通知。
Products are subject to change without notice.