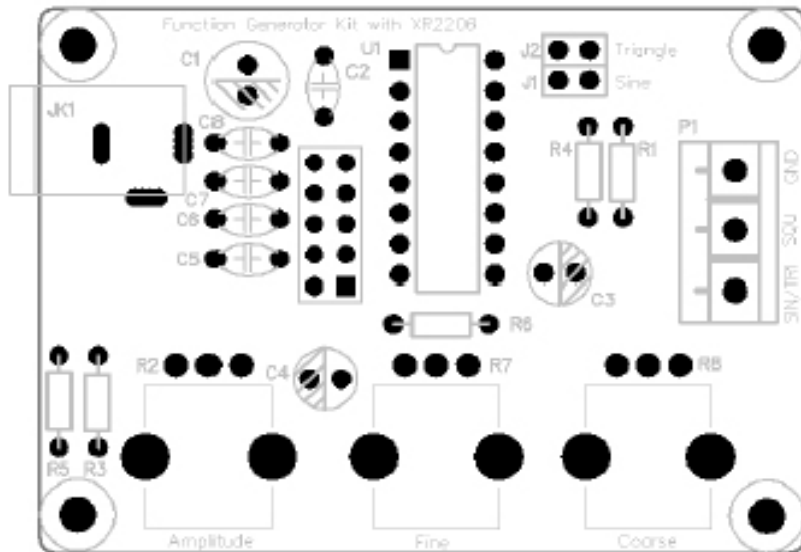


## 1. Function Generator component layout diagram

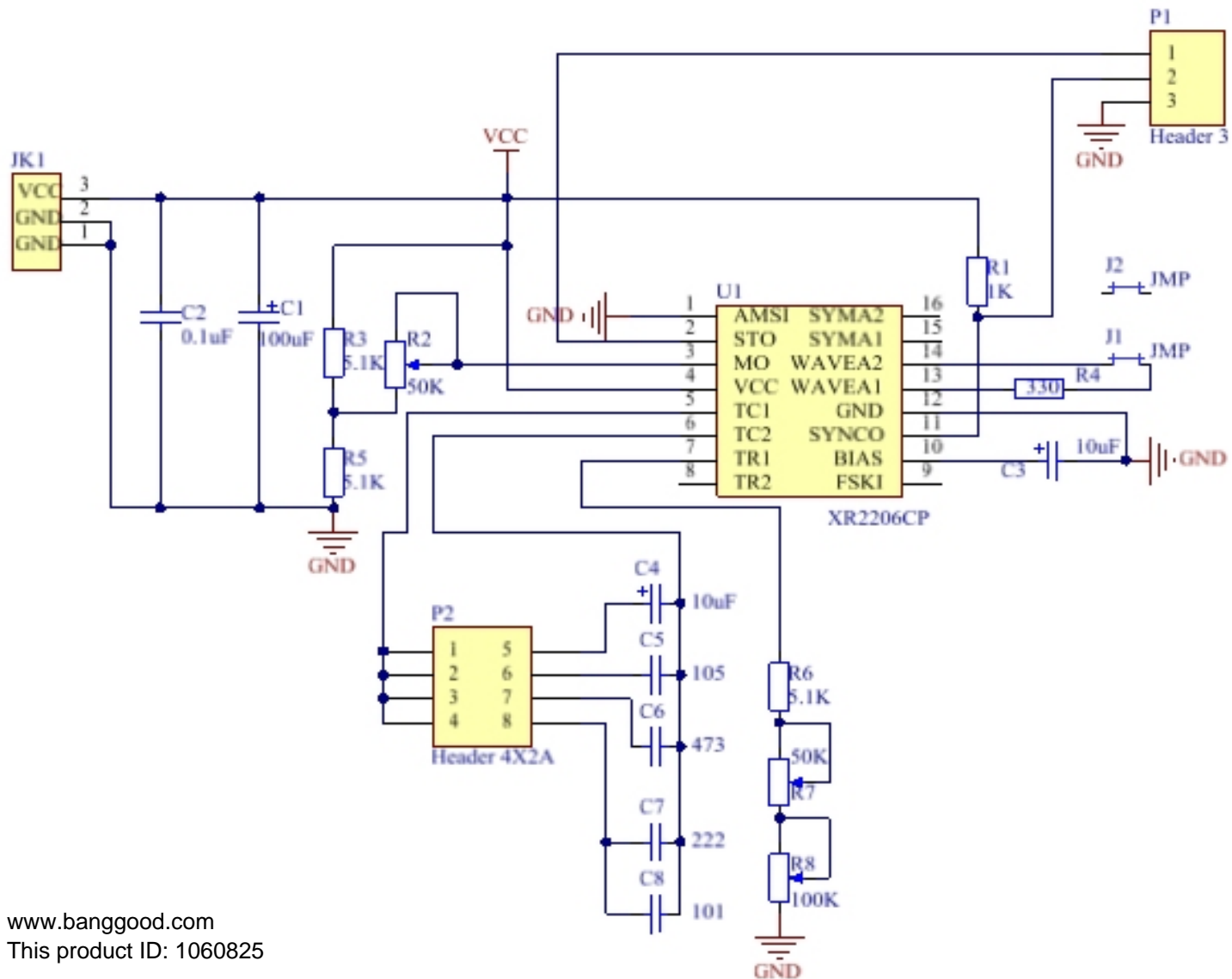


## 2. The Function Generator component parameter table

Note	label	type	parameters
R1	resistor	1K	Regardless of the polarity
R2	Adjustable resistance	B503=50K	(by screen printing layer)
R3, R5, R6	resistor	5.1K	Regardless of the polarity
R4	resistor	330	Regardless of the polarity
R7	Adjustable resistance	B503=50K	(by screen printing layer)
R8	Adjustable resistance	B104=100K	(by screen printing layer)
C1,	Electrolytic capacitor	100UF	The positive long feet
C2	non-polar capacitors	104	Regardless of the polarity
C3, C4	Electrolytic capacitor	10UF	The positive long feet
C5	non-polar capacitors	105	Regardless of the polarity
C6	non-polar capacitors	473	Regardless of the polarity
C7	non-polar capacitors	222	Regardless of the polarity
C8	non-polar capacitors	101	Regardless of the polarity
U1	IC	XR2206	(by screen printing layer)
JK1	DC POWER		(by screen printing layer)
J1	2PIN Jumper cap	XM2.54	Regardless of the polarity
J2	2PIN Jumper cap	XM2.54	Regardless of the polarity
P1	Signal wire terminal		(by screen printing layer)
J3	2*5P Jumper cap		



## 6. Schematic diagram of Function Generator



www.banggood.com  
This product ID: 1060825