

### Specification

#### Data:

- Wingspan: 860mm(33.85in)
- Length: 570mm(22.44in)
- Flying Weight: 410~450g
- Flying Time: 30 Minutes
- Material: Lightweight EPP

#### Configuration:

- Motor: 2204-1870KV
- ESC: 30A w/BEC 1A
- Battery: 3S 1300~1800mAh
- Servo: 8g\*3pcs Digital
- Propeller: 6x3

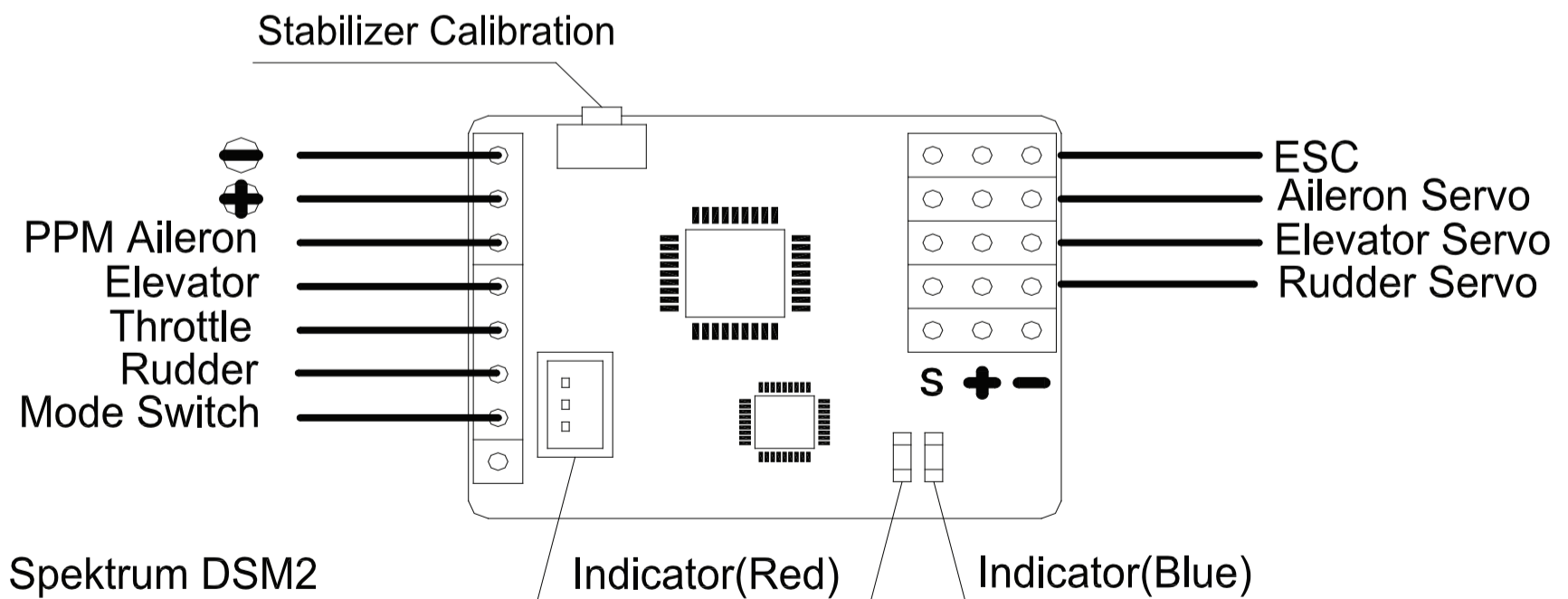
### Safety Attention

1. Do not fly in raining, snowing, or windy weather.
2. Do not fly near HV power cable, signal station, signal tower or Wi-Fi hot spot, to avoid signal interference.
3. Do not fly around no-fly zone according to local law.

## Diagram for ZOHD Stabilizer



Flying Direction



### Note

- Shutdown all the mix control of your radio before using this Stabilizer.
- Do not trim any channel while flying.
- Red Indicator means 3-axis stabling mode for **advanced user**.  
Blue Indicator means 6-axis autostability/take-off mode for **beginner**.  
They can be changed by the **Mode Switch** channel during flying.
- When calibrating the stabilizer, both red and blue indicator will quick flashing, do not move the stabilizer while calibrating, the calibrating will be finished after blue and red indicator quick flashing for about 5 seconds. Slow flashing means error.

### Throttle Calibration

You have to calibrate the throttle of this Nano Talon when you fly it for the first time or change a radio, or there will be unusual beeps.

Calibration Step:

1. Turn on the radio and keep the throttle on the top position.
2. Power on the ESC.
3. Pull the throttle sticker to the lowest position after the motor with two short beeps.
4. Calibration finished after motor with two long beeps.