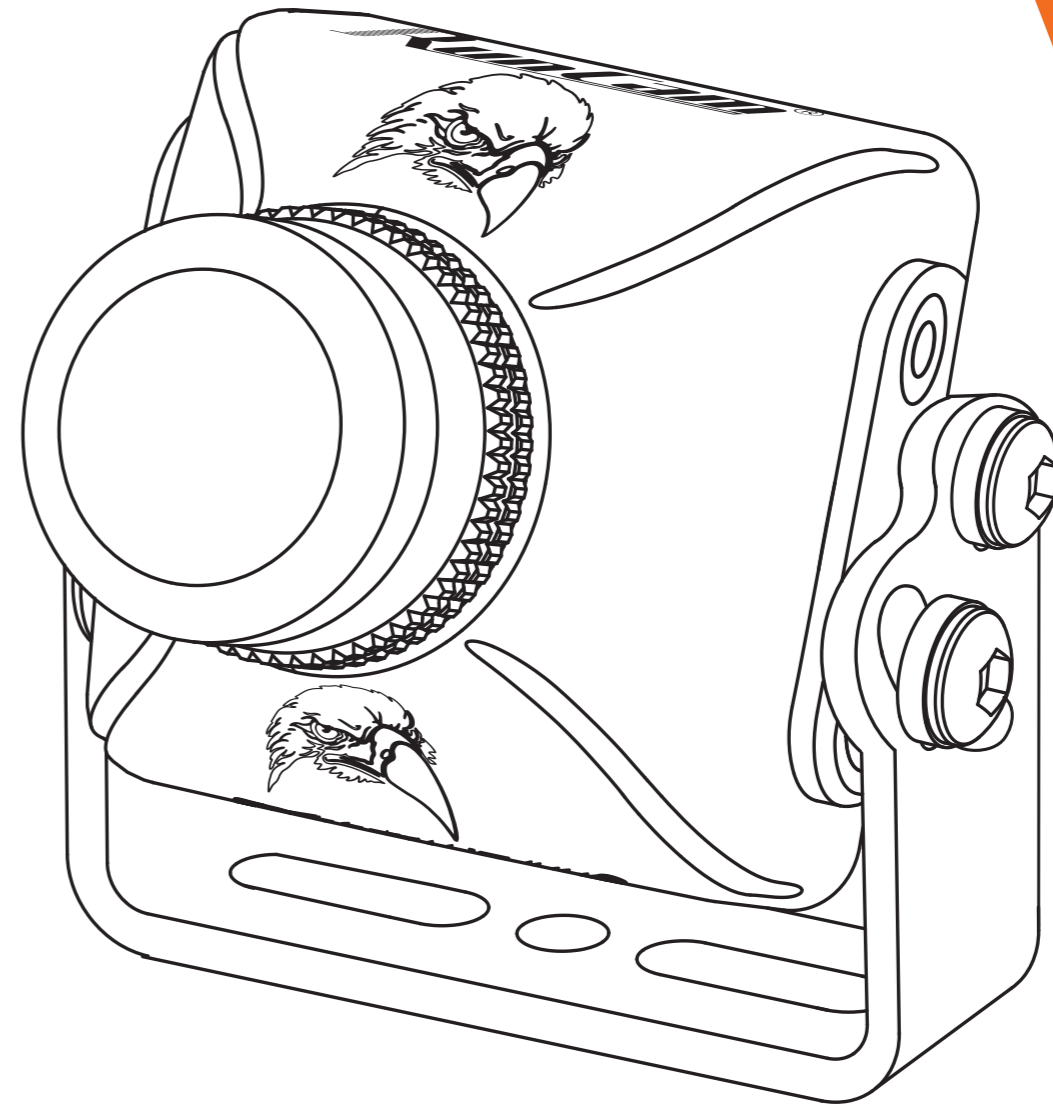


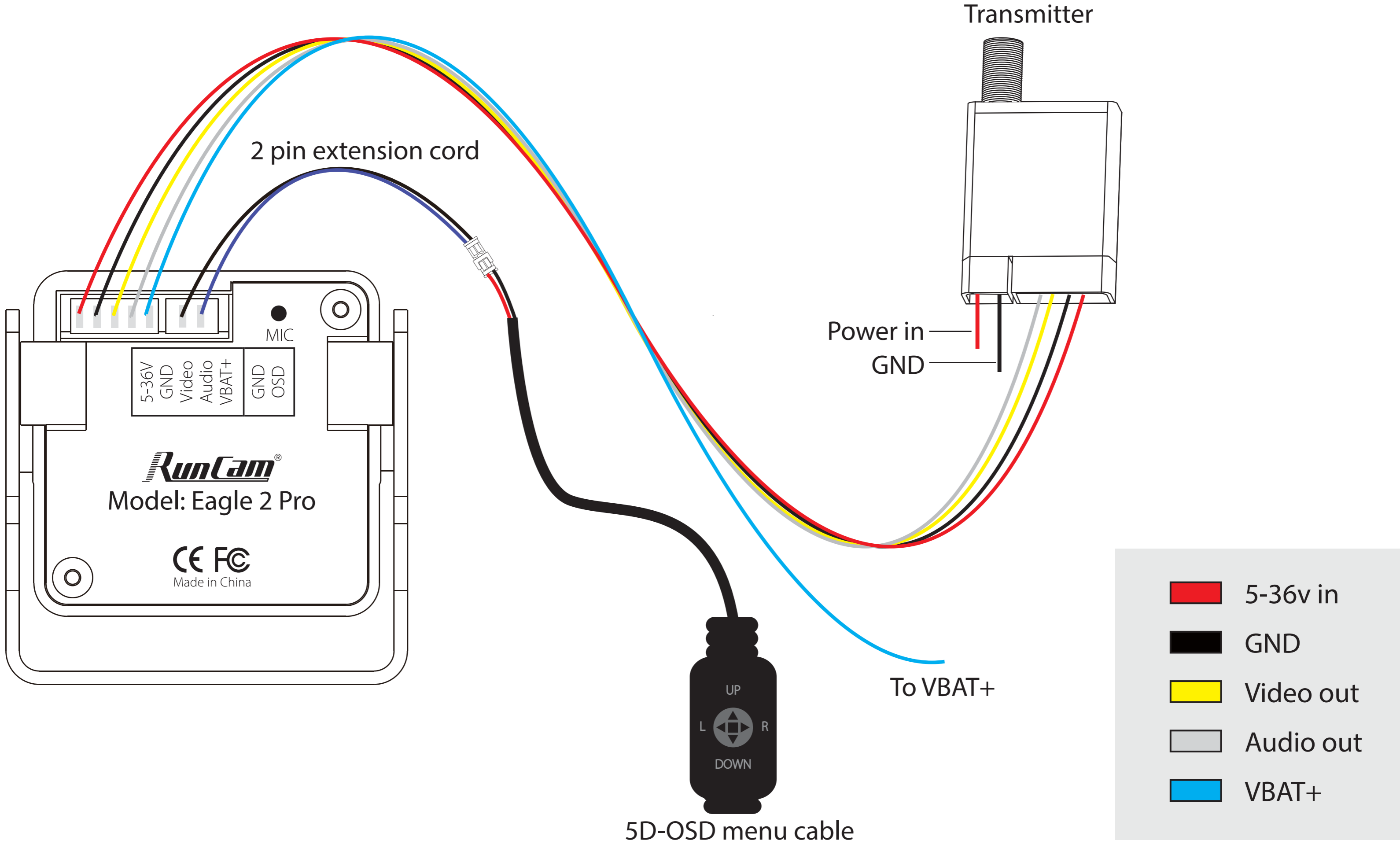


RUNCAM EAGLE2 PRO USER MANUAL

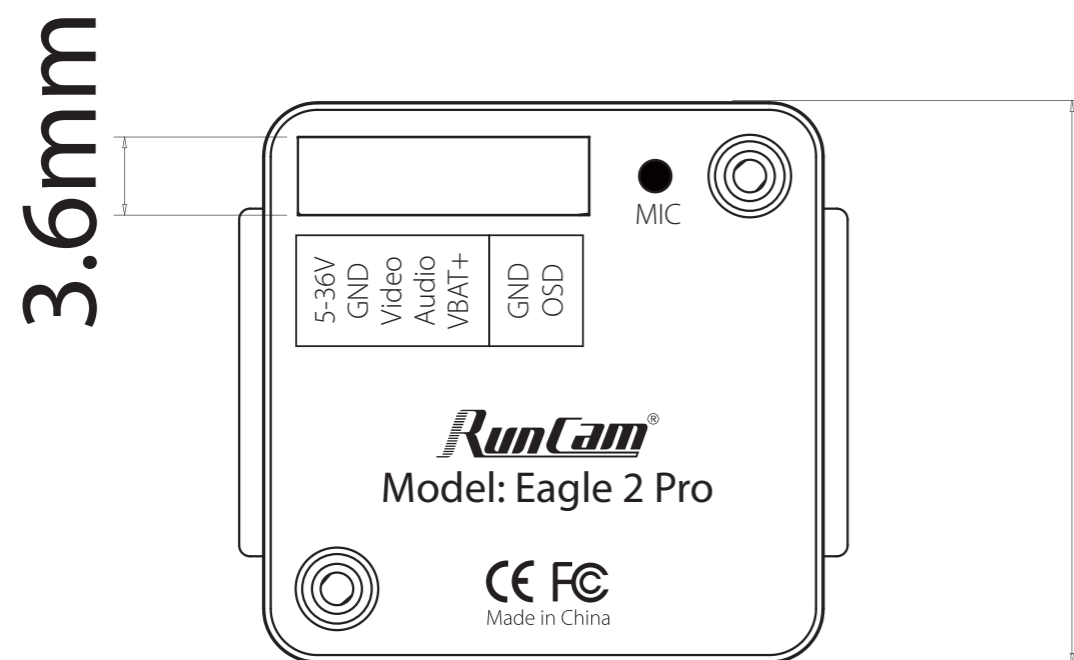
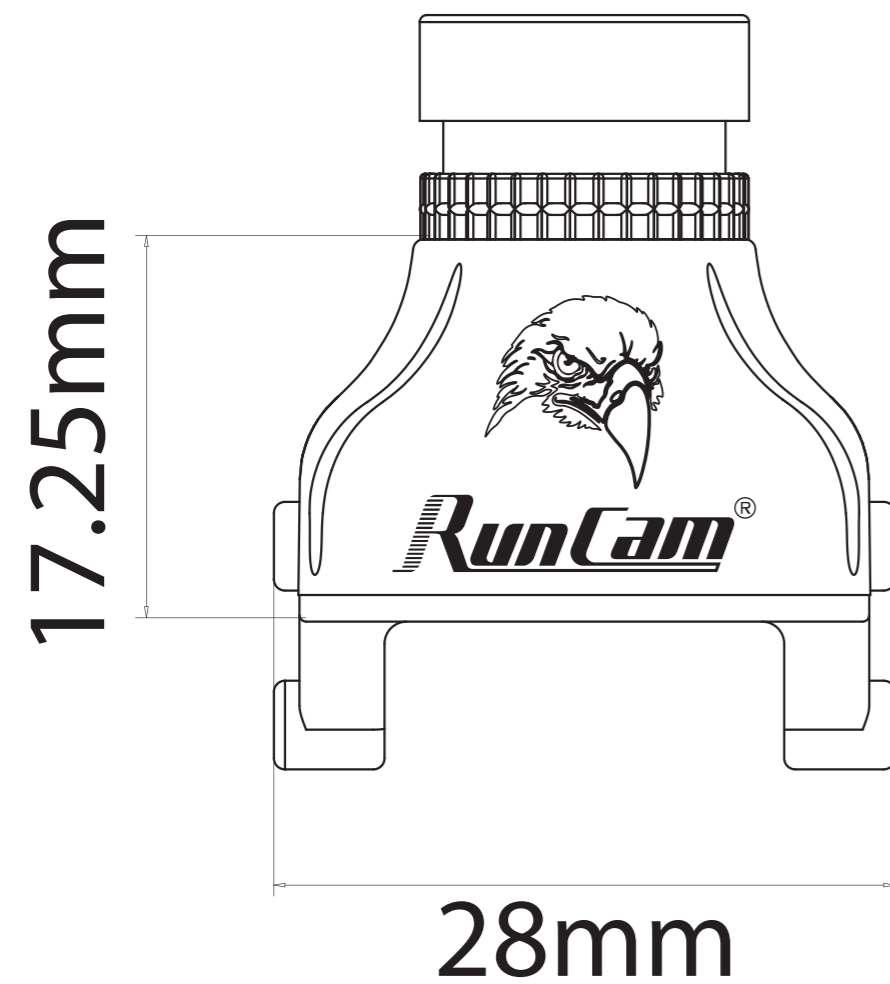


Connection

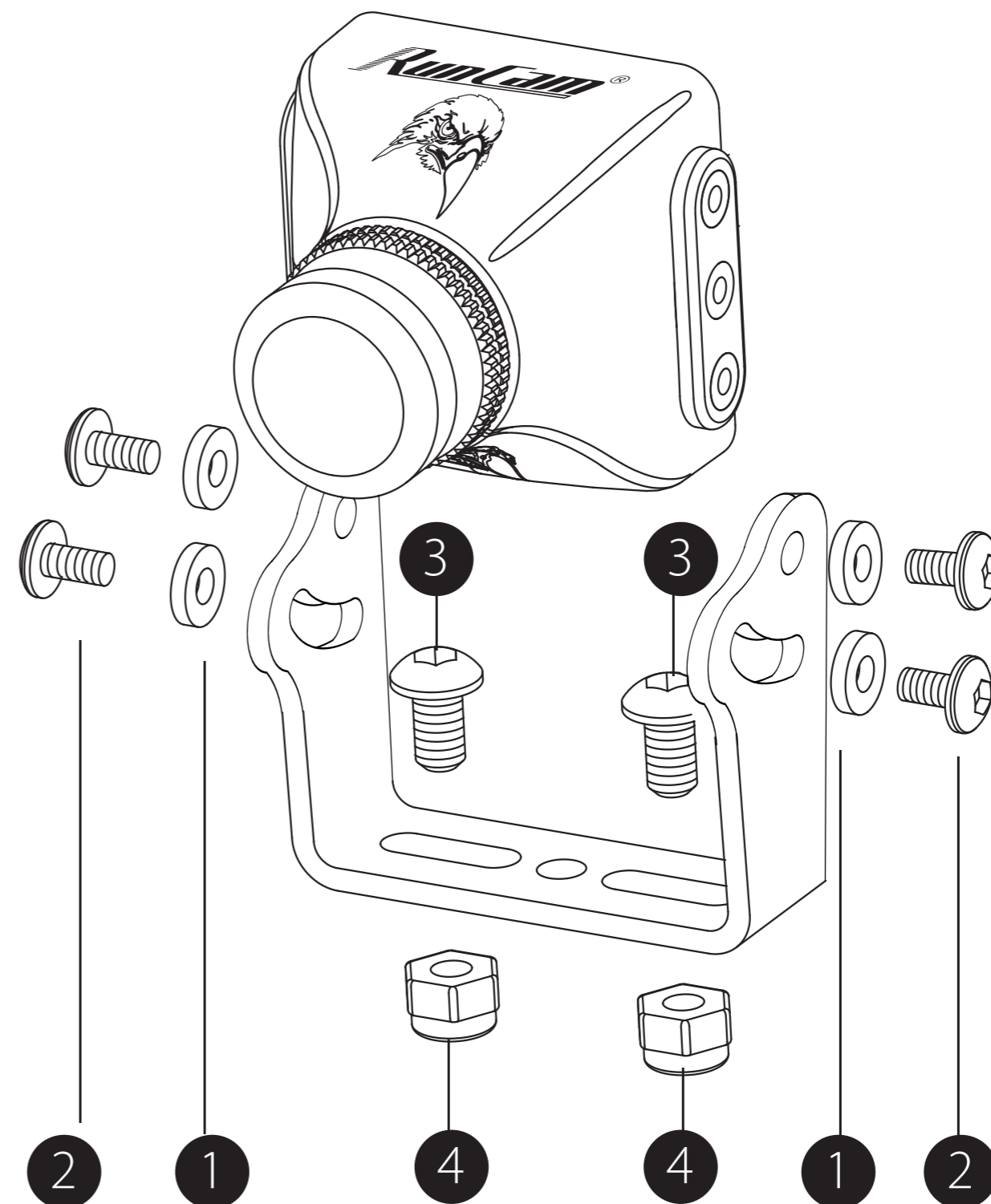
* Unplug the 5D-OSD menu cable after OSD setting.



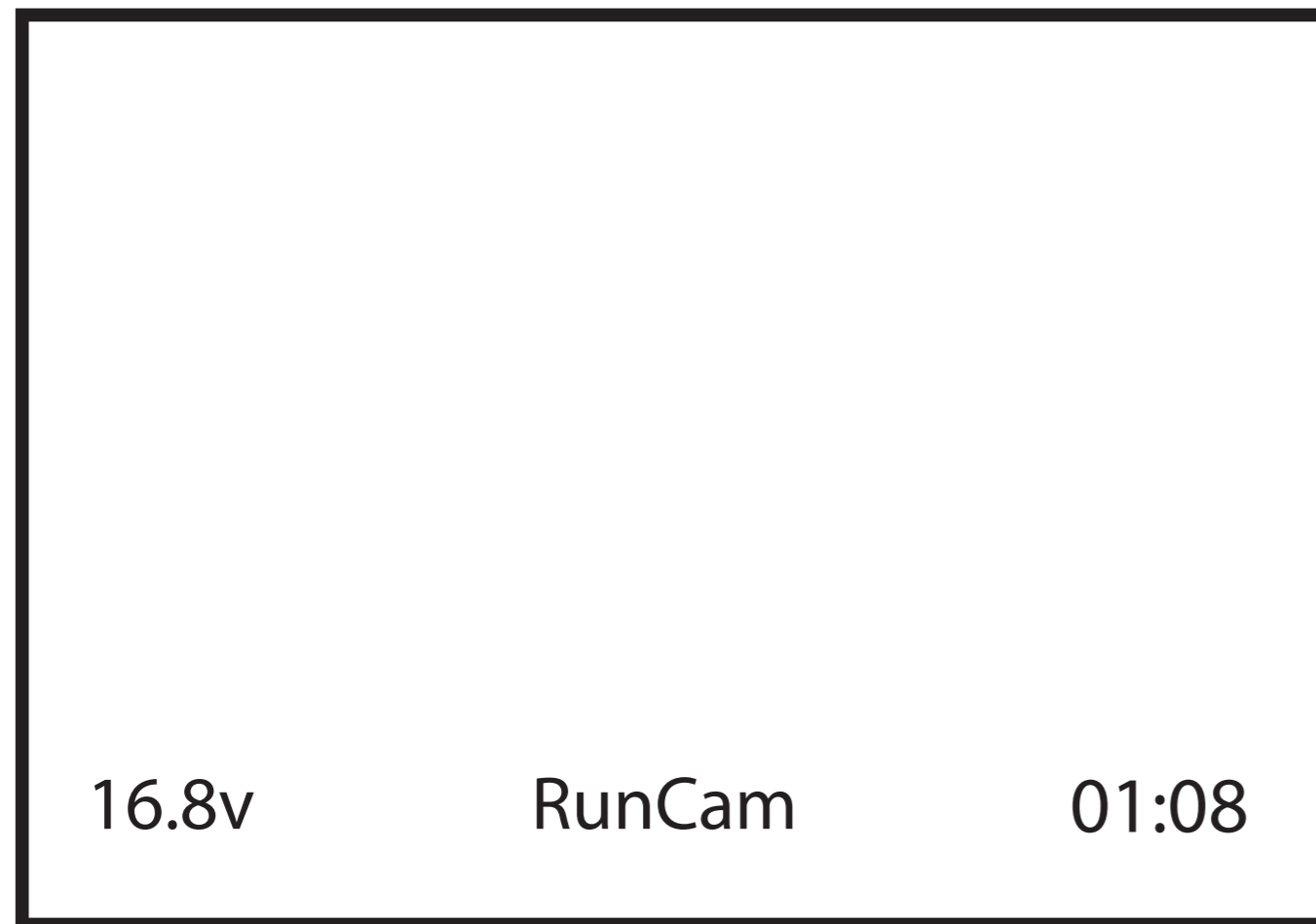
Dimensions & Installation



- 1 Nylon Gaskets
- 2 M2*4 Screws
- 3 M3*5 Screws
- 4 M3 Non-slip Nuts



OSD Menu



- **Quick settings:**

Long press the LEFT/DOWN/RIGHT button for 2 seconds to activate the VOLTAGE/PILOT/TIMER, then you can use the UP, DOWN, LEFT and RIGHT buttons to move it to the appropriate location on the screen, and press the CENTER button to exit.

- **Voltage Calibration**

- Press and hold the RIGHT button for 2 seconds to select the voltage
- Press and hold the CENTER button for 2 seconds, the voltage starts to flash, now you can adjust the Voltage:
 - Reduce (LEFT button) or increase (RIGHT button) 0.1V each press. Maximum adjustment range: $\pm 1v$
 - After adjustment, press the CENTER button to select the voltage, then press it again to save and exit.
- The OSD displays by default the input voltage of the camera. If the VBAT + cable is connected to the battery's positive side, it displays the battery voltage instead.

OSD Menu

OSD Setting: Press and hold the UP button for 2 seconds to enter OSD setup menu.

RunCam

1234567890ABCDEFGH
IJKLMNOPQRSTUVWXYZ
YZabcdefghijklmnop
pqrstuvwxyz.-:/@

| | |
|----------|-----|
| PILOT | ON |
| TIMER | ON |
| VOLTAGE | ON |
| BASELINE | OFF |
| DEFAULT | |
| EXIT | |

- PILOT: ON/OFF
 - TIMER: ON/OFF
 - VOLTAGE: ON/OFF
 - BASELINE: OFF/1-9
 - EXIT: Save the current settings and exit
-
- Customize the PILOT name: Use the UP, DOWN, LEFT and RIGHT buttons to navigate through the letters and confirm with the CENTER button.

Camera Menu

MAINMENU

| | |
|----------------|----------|
| IMAGE | ←┐ |
| DAY&NIGHT | AUTO |
| VIDEO STANDARD | PAL-50HZ |
| SCREEN FORMAT | 4-3 |
| LANGUAGE | ENGLISH |
| LOAD DEFAULT | |
| SOFT VERSION | |
| SAVE&EXIT | |
| EXIT | |

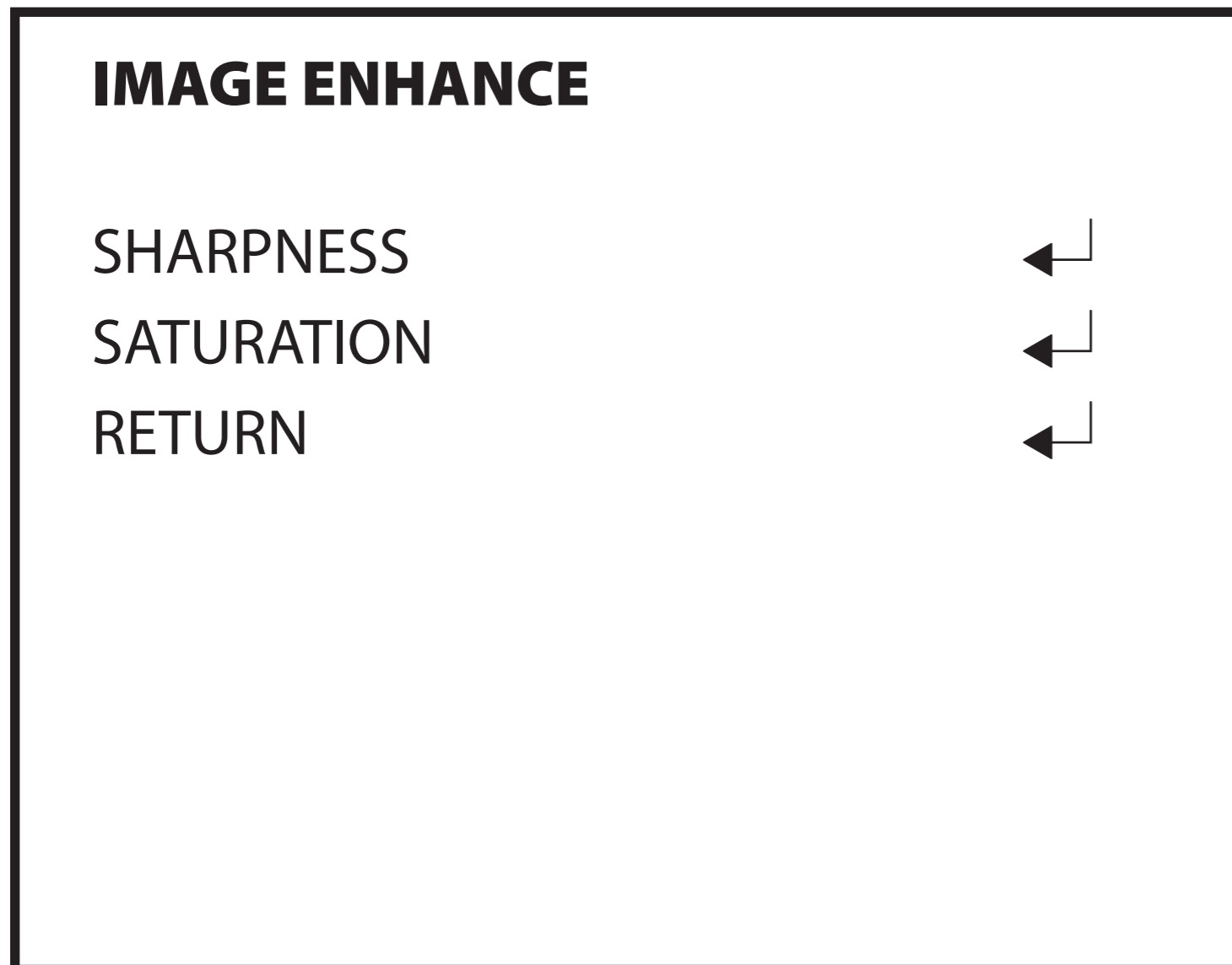
- DAY&NIGHT (Auto/External/B&W/Color)
- VIDEO STANDARD (PAL-50Hz/NTSC-60Hz)
- SCREEN FORMAT (4-3/16-9)
- LANGUAGE (English/中文)

IMAGE

| | |
|---------------|-----|
| MAX GAIN | 9 |
| WDR | ON |
| IMAGE ENHANCE | ←┐ |
| MIRROR | OFF |
| BRIGHTNESS | 44 |
| ZOOM IN | 0 |
| RETURN | ←┐ |

- MAX GAIN (9 / 1-9)
- WDR (ON/OFF)
- MIRROR (OFF/ON)
- BRIGHTNESS (44 / 8-250)
- ZOOM IN (0 / 0-5)

Camera Menu



- SHARPNESS (AUTO/MANUAL: 0-15)
- SATURATION (AUTO/MANUAL: 0-15)

| Model | RunCam Eagle 2 PRO | |
|--------------------------|-----------------------------------|---------------------|
| Image Sensor | 1/1.8" CMOS Sensor | |
| Horizontal Resolution | 800TVL | |
| Lens | FOV 170 2.1mm @ 16:9 | FOV 140 2.5mm @ 4:3 |
| Screen Format | 16:9 / 4:3 Switchable on OSD menu | |
| Signal System | NTSC/PAL Switchable on OSD menu | |
| Integrated OSD | Yes | |
| Integrated MIC | Yes | |
| S/N Ratio | >50dB | |
| Electronic Shutter Speed | Auto | |
| Max Gain | 1-9 | |
| Min. Illumination | 0.01Lux/F1.2 | |
| WDR | Global WDR | |
| Day/Night | Auto/External/Color/B&W | |
| Power | DC 5-36 V | |
| Work Current | 12V@90mA / 5V@200mA | |
| Housing Material | ABS | |
| Net Weight | 15g | |
| Dimensions | L28mm * W26mm * H28mm | |

www.runcam.com