

# SMOOTH 4

## Quick Start Guide

### Quick Start Guide

#### Downloading APP



"ZY Play" is indispensable to stabilizers. Search "ZY Play" in APP store or scan the QR code on the left to download "ZY Play"(Android 5.0 above or iOS9.0 above required).

⚠️ As a contribution to environmental protection, paper user guide is not provided with the product. Before using this product, please download user guide on ZHIYUN's official website [www.zhiyun-tech.com](http://www.zhiyun-tech.com) or read user guide on "ZY Play".

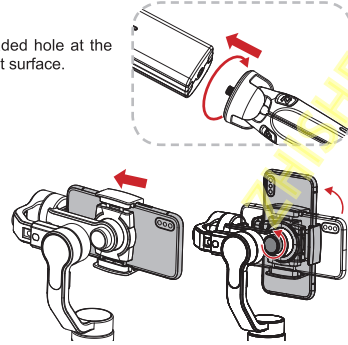
#### Quick Start Guide

💡 Please follow the steps below to learn the basic functions of Smooth 4. Please read the complete user manual carefully before using the product.

#### 1.Installation

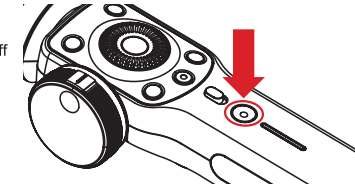
- Get the tripod ready and tighten it to the 1/4" threaded hole at the bottom of the stabilizer, then unfold the tripod on a flat surface.
- Push and hold open the camera clamp, slide the smartphone in as close as possible against the tilt axis motor, and Clamp on. You can also loosen the Mobile Clamp Thumb Screw on the back and rotate the clamp to make the phone vertical.

⚠️ Please do not turn on the Smooth 4 before putting in the phone.



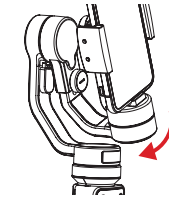
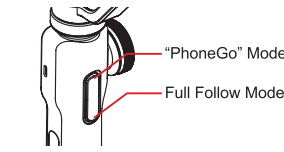
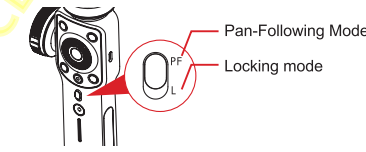
#### 2.Turn On/Off

Long press power button for 2 second to turn on/off the stabilizer.

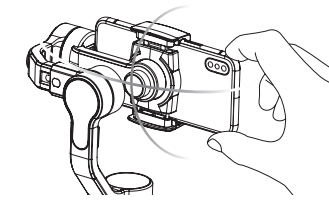


#### 3.Operation

- Four Operation Modes



• Quick Switch to Standby Mode (Hold the horizontal arm down manually to lock with Fixing Buckle to enter Standby Mode. Hold up the horizontal arm again to wake up the stabilizer)



• Manual Reposition (Under Pan-Following Mode & Locking Mode)

### Quick Start Guide

### Quick Start Guide

#### 4.Connect "ZY Play"

1. Power on the stabilizer and open phone bluetooth.
  2. Open ZY Play APP and Tap "Connect Your Device" to connect the stabilizer.
- ⚠️ You can make the most use of the functions matching the Smooth 4 tailor-made ZY Play APP.

Scan QR code to follow ZHIYUN to get more product information.



Website



Weibo



Vimeo



Google+



Facebook



Wechat



Youku



Youtube

Thank you for using ZHIYUN Smooth 4. The information contains herein affects your safety and your legal rights and responsibilities. Read this entire document carefully to ensure proper configuration before use. Failure to read and follow the instructions and warnings herein may result in serious injury to you or bystanders, or damage to your device or property. ZHIYUN reserves the right of final explanation for this document and all relevant documents relating to Smooth 4, and the right to make changes at any time without notice. Please visit [www.zhiyun-tech.com](http://www.zhiyun-tech.com) for the latest product information.

By using this product, you hereby signify that you have read this document carefully and that you understand and agree to abide by the terms and conditions herein. You agree that you are solely responsible for your own conduct while using this product, and for any consequences thereof. You agree to use this product only for purposes that are proper and in accordance with all terms, precautions, practices, policies and guidelines ZHIYUN has made and may make available.

ZHIYUN™ accepts no liability for damage, injury or any legal responsibility incurred directly or indirectly from the use of this product. Users shall observe safe and lawful practices including, but not limited to, those set forth herein.

ZHIYUN™ is the trademark of Guilin Zhishen Information Technology Co., Ltd. (hereinafter referred to as "ZHIYUN" or "ZHIYUN TECH") and its affiliates. All product names or marks referred to hereunder are trademarks or registered trademarks of their respective holders.

This guide is for reference only and does not constitute any kind of commitment. Device, including but not limited to its color, size, etc., shall be subject to the actual product.

### Warning

Read the ENTIRE User Guide to become familiar with the features of this product before operating. Failure to operate the product correctly can result in damage to the product or personal property and cause serious injury. This is a sophisticated product. It must be operated with caution and common sense and requires some basic mechanical ability. Failure to operate this product in a safe and responsible manner could result in injury or damage to the product or other property. This product is not intended for use by children without direct adult supervision. DO NOT use with incompatible components or in any way otherwise as mentioned or instructed in the product documents provided by ZHIYUN. The safety guidelines herein contain instructions for safety, operation and maintenance. It is essential to read and follow all of the instructions and warnings in the User Guide, prior to assembly, setup or use, in order to operate the product correctly and avoid damage or serious injury.

### Safe Operation Guidelines

#### CAUTION

- 1)Smooth 4 is a high-precision control device. Damage may be caused to Smooth 4 if it is dropped or subject to external force, and this may result in malfunction.
- 2)Make sure the rotation of the gimbal axes is not blocked by external force when Smooth 4 is turned on.
- 3)Smooth 4 is not waterproof. Prevent contacts of any kind of liquid or cleaner with Smooth 4. It is recommended to use dry cloth for cleaning.
- 4)Protect Smooth 4 from dust and sand during use.

#### WARNING

To avoid fire, serious injury, and property damage, observe the following safety guidelines when using, charging, or storing your batteries.

#### NOTICE

##### Battery Use

Make sure the batteries are fully charged before each time of use.

##### Battery Charging

The battery will stop charging automatically when it is full. Disconnect the batteries from the charger when fully charged.

##### Battery Storage

- 1.Discharge the battery to 40%-65% if it will NOT be used for over 10 days. This can greatly extend the battery life.
- 2.The battery enters hibernation mode when voltage gets too low. Charge the battery will bring it out of hibernation.

### Reading Tip

Symbol Description:  Operation and Use Tips  Important Notes

Data charges may occur when you scan QR code to read or download the electronic user manual online, so you'd better process under WIFI environment.

### Warranty Period

- 1.Customers are entitled to replacement or free repair service in case of quality defect(s) found in the product within 15 days upon receipt of the product.
- 2.Customers are entitled to free repair service from ZHIYUN for any product proven defective in material or workmanship that results in product failure during normal consumer usage and conditions within the valid warranty period, which is 12 months counting from the date of selling.
3. Some states or countries do not allow limitations on how long an implied warranty lasts, so the above warranty term may not apply to you.

### This warranty does not apply to the followings

1. Products subjected to unauthorized repair, misuse, collision, neglect, mishandling, soaking, accident, and unauthorized alteration.
2. Products subjected to improper use or whose labels or security tags have been torn off or altered.
3. Products whose warranty has expired.
4. Products damaged due to force majeure, such as fire, flood, lightning, etc.

### Warranty Claim Procedure

- 1.If failure or any problem occurs to your product after purchase, please contact a local agent for assistant, or you can always contact ZHIYUN's customer service through email at [SERVICE@ZHIYUN-TECH.COM](mailto:SERVICE@ZHIYUN-TECH.COM) or website at [www.zhiyun-tech.com](http://www.zhiyun-tech.com).
- 2.Your local agent or ZHIYUN's customer service will guide you through the whole service procedure regarding any product issue or problem you have encountered. ZHIYUN reserves the right to reexamine damaged or returned products.

Tel: +86-773-2320856  
 Web: [www.zhiyun-tech.com](http://www.zhiyun-tech.com)  
 E-mail: [service@zhiyun-tech.com](mailto:service@zhiyun-tech.com)  
 Address: 13th Building, Creative Industrial Park, GuiMo Road, QiXing District, Guilin 541004, Guangxi, China.

<b>Custom information</b>	
Customer Name :	Contact No :
Address :	
<b>Sales Information</b>	
Sales Date :	Prod. Serial No :
Dealer :	
Contact No :	
<b>#1 Maintenance Record</b>	
Service Date :	Signature of Repairman :
Cause of Problem :	
Service Result :	<input type="checkbox"/> Solved <input type="checkbox"/> Unsolved <input type="checkbox"/> Refunded(Replaced)

### Certificate of Quality

This product is confirmed to meet quality standards and permitted for sale after strict inspection.

QC Inspector: \_\_\_\_\_



Please download the latest version from [www.zhiyun-tech.com](http://www.zhiyun-tech.com)  
 This document is subject to change without notice.  
 ZHIYUN™ is a trademark of ZHISHEN.  
 Copyright © 2017-2018 ZHISHEN. All rights reserved.