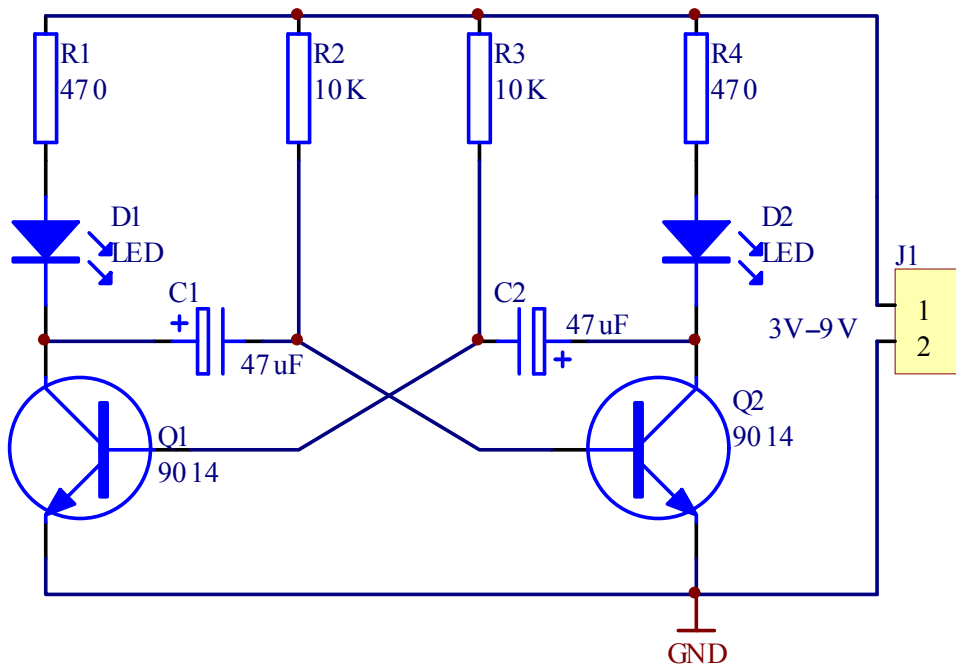


YSG-1 Flash kit instructions



Package list:

Name	Model	Number	Quantity
resistance	470R	R1 R4	2
	10K	R2 R3	2
capacitance	47uF/16V	C1 C2	2
LED	Φ5 red	D1 D2	2
Triode	9014	Q1 Q2	2
Terminals	2P	J1	1
PCB	FR-4 28*30mm	1	1