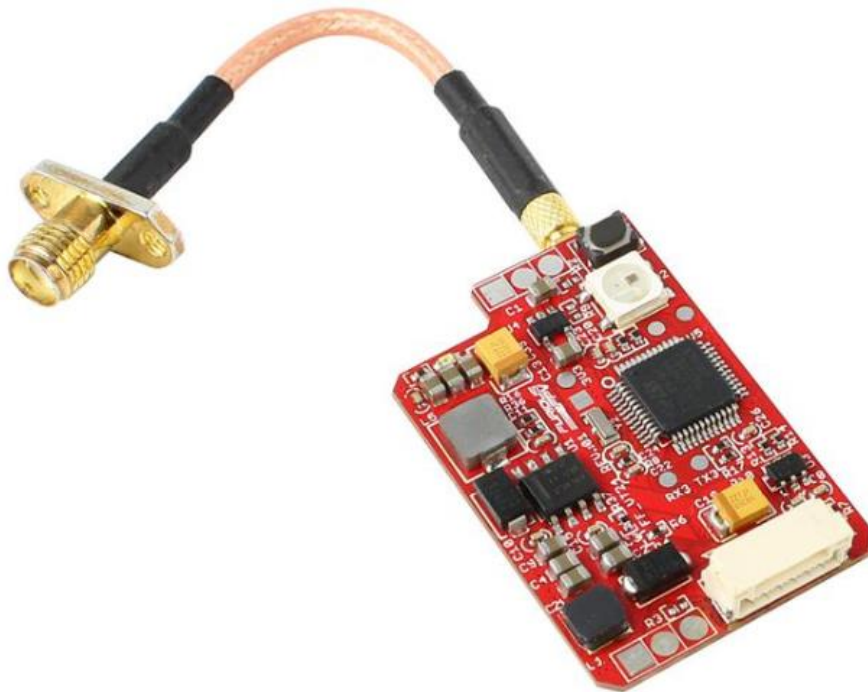




STEALTH LONG RANGE 2.4GHz

Video Transmitter

USER MANUAL VERSION 1.0



Please contact us if you need further assistance:

Tech support: tech@furiousfpv.com

Sales support: sales@furiousfpv.com

Website: <http://furiousfpv.com/>



CONTENTS

Introduction	2
Features	2
Pin Outs	4
Dimensions	5
Weight	5
Connections	6
❖ Using with F-35 Lightning:	6
❖ Using Fortini F4 OSD:	7
❖ Using Fortini F4:	8
❖ Using RaceFlight Revolt F4 OSD:	9
❖ Using KISS FC V2:	10
LEDs Status Table	11
Set Frequency and Power by button	12

Introduction

Furious FPV 2.4GHz VTx - Distant Horizons Await

Push your FPV boundaries far beyond the horizons with the all new long range Furious FPV 2.4GHz VTx - the ultimate long range FPV solution.

Building upon the massive success of previous 5.8GHz systems, Furious FPV steps into the realm of 2.4GHz, offering a multi power VTx with a selectable race ready 25mW to massive 800mW output power for extreme range FPV flight that only 2.4GHz can provide.

Offering ultra-clear video reception with excellent signal penetration, the 2.4GHz VTx provides a host of capabilities with (16) channels of 2.4GHz frequencies to choose from. Further this with a light weight, compact layout that incorporates a metal shield for video clarity protection, the Furious FPV 2.4GHz VTx offers a perfect FPV solution for pilots in search of long range flight.

Featuring a wide voltage input of 7.4V - 25.2V, built-in BEC 5V@2A with LC filter with an RGB LED board to provide channel & power output feedback, the Furious 2.4GHz VTx is a multi-channel power house that offers maximum flexibility when it comes to your FPV application.

Designed for long range pilots in mind, the Furious FPV 2.4GHz VTx is the ultimate extreme range VTx, offering immense capability and functionality in a light weight, compact layout. A perfect fit for a myriad of FPV machines, the 2.4GHz VTx is ready and waiting to push your FPV range to the horizons & beyond.

Features

- Transmission Frequency: 2.4GHz & Available Channels: 16
- Selectable Output Power: 25mW/ 200mW/ 500mW/ 800mW
- Input Voltage: 7V - 26V (2S - 6S)
- BEC 5V@2A + LC Filter => Clean Signal
- LED Ports: (2) LED Ports for LED Strip Functionality
- On Board Display: RGB LED
- RF Connector: MMCX
- Dimensions: 38.2mm x 24.8mm x 9mm (LxWxH)
- Weight: 8.5g (antenna excluded)
- Wire & Connector: High Quality Silicon & GH Connector
- Shield: Easy to Mount Metal Protection Shield
- VTx Control: Uses Furious FPV Protocol to Control via FC (available via later firmware update and only supports Betaflight & INAV)



Ultimate Range via 2.4GHz Capability

Unlike 5.8GHz systems, 2.4GHz maximizes range far beyond the reach of traditional 5.8GHz systems with less video interference or sensitivity. Offering greater video signal penetration, 2.4GHz offers excellent video quality & range for maximum levels of FPV flight.

Analog Signal with No Latency

Utilizing an analog signal, the Furious FPV 2.4GHz VTx features no video latency, offering a smooth, crisp video signal to optimize on the edge FPV flight.

Versatile Power Output Flexibility

Incorporating the ability to select between 25mW, 200mW, 500mW and 800mW of output power, Furious FPV puts you in control of your range, allowing the perfect amount of output power to be selected based upon your FPV needs.

16 Channels of FPV Frequency Freedom

Offer a full 16 channels of 2.4GHz frequencies to choose from, you can select the channel that optimizes your FPV flight the best, offering the lowest levels of signal noise for true video perfection.

Ultra Wide Voltage Input Range

From 2S to 6S LiPo power, the Furious FPV 2.4GHz VTx offers the ultimate in voltage freedom, allowing an ultra-wide input voltage range to suit the needs & demands of your FPV system.

Built In BEC with LC Filter for Ultimate Clarity

Integrated with a BEC 5V@2A, the Furious FPV 2.4GHz incorporates a built in LC filter, which aids in video clarity for the optimum video signal while in flight and on the move.

Light Up the Night with Integrated LED Ports

Utilizing (2) integrated LED ports, the Furious FPV 2.4GHz VTx offers the capability of LED strip functionality, allowing you to customize the look of your FPV machine, both day & night.

On Board RGB LED Display

Utilizing a RGB LED display, the Furious FPV 2.4GHz VTx provides clear, color based feedback regarding mW output, channel selection and more for maximum levels of setup control.

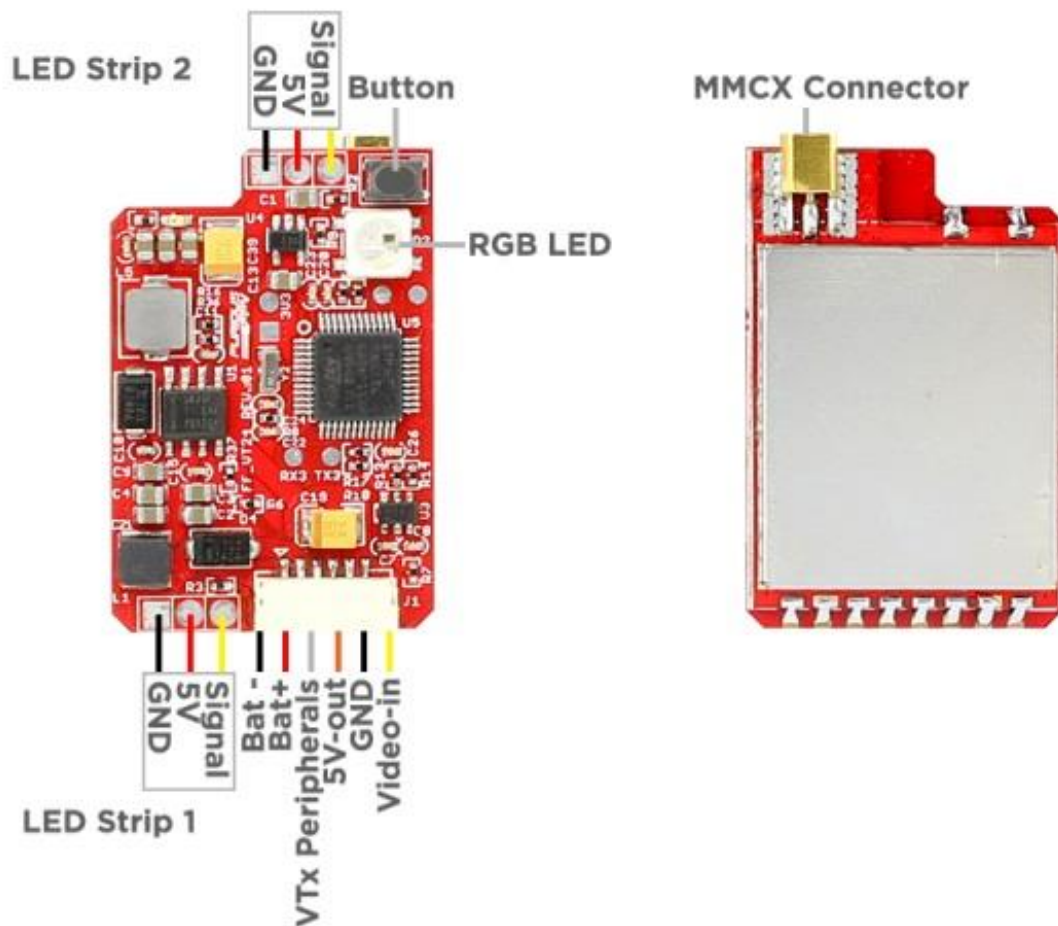
Compact & Light Weight Design

At 8.5g of overall weight with an ultra-small layout, the Furious FPV 2.4GHz VTx can be mounted to just about any FPV machine without any detriment in performance or power - the perfect FPV design.

True VTx Control via FC

Available with the next firmware release, the Furious FPV 2.4GHz VTx will offer full control via your FC, offering the ultimate levels of functionality & setup ease.

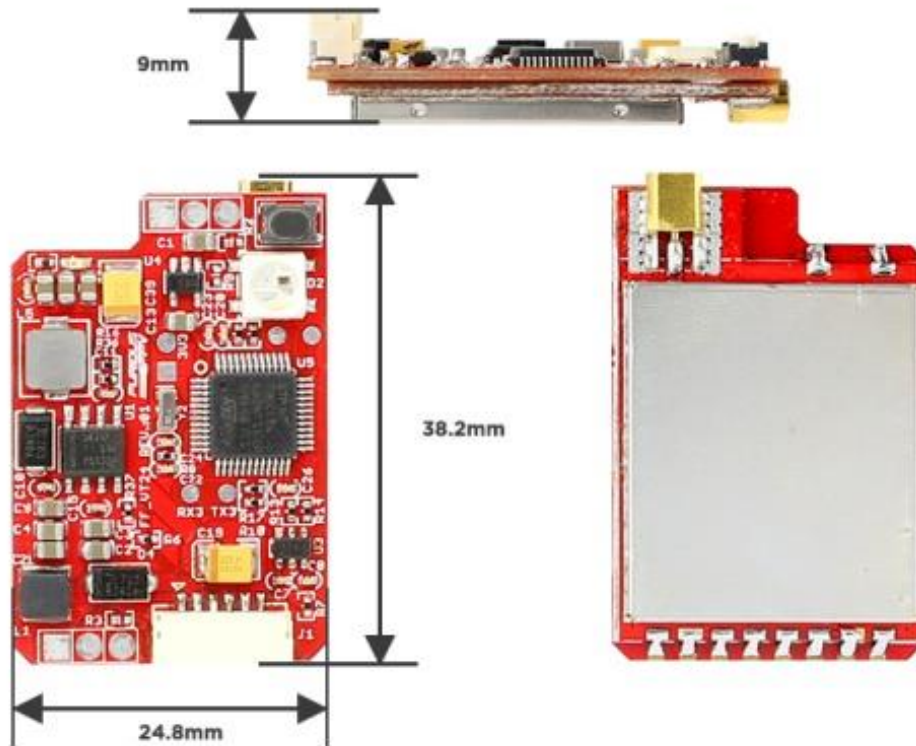
Pin Outs



*Note:

- + VTx Peripherals is FuriousFPV Protocol - Release soon
- + VTx Peripherals only supports Betaflight & INAV

Dimensions

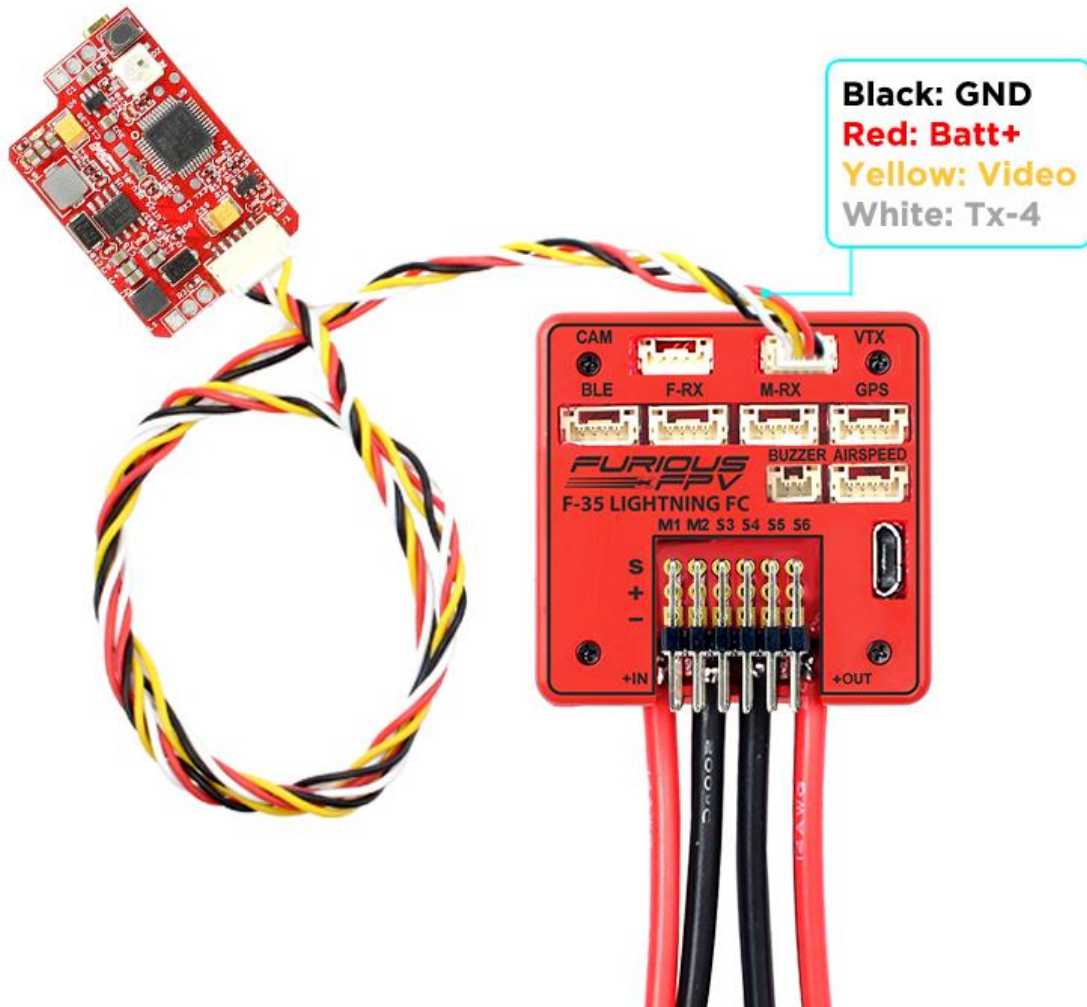


Weight



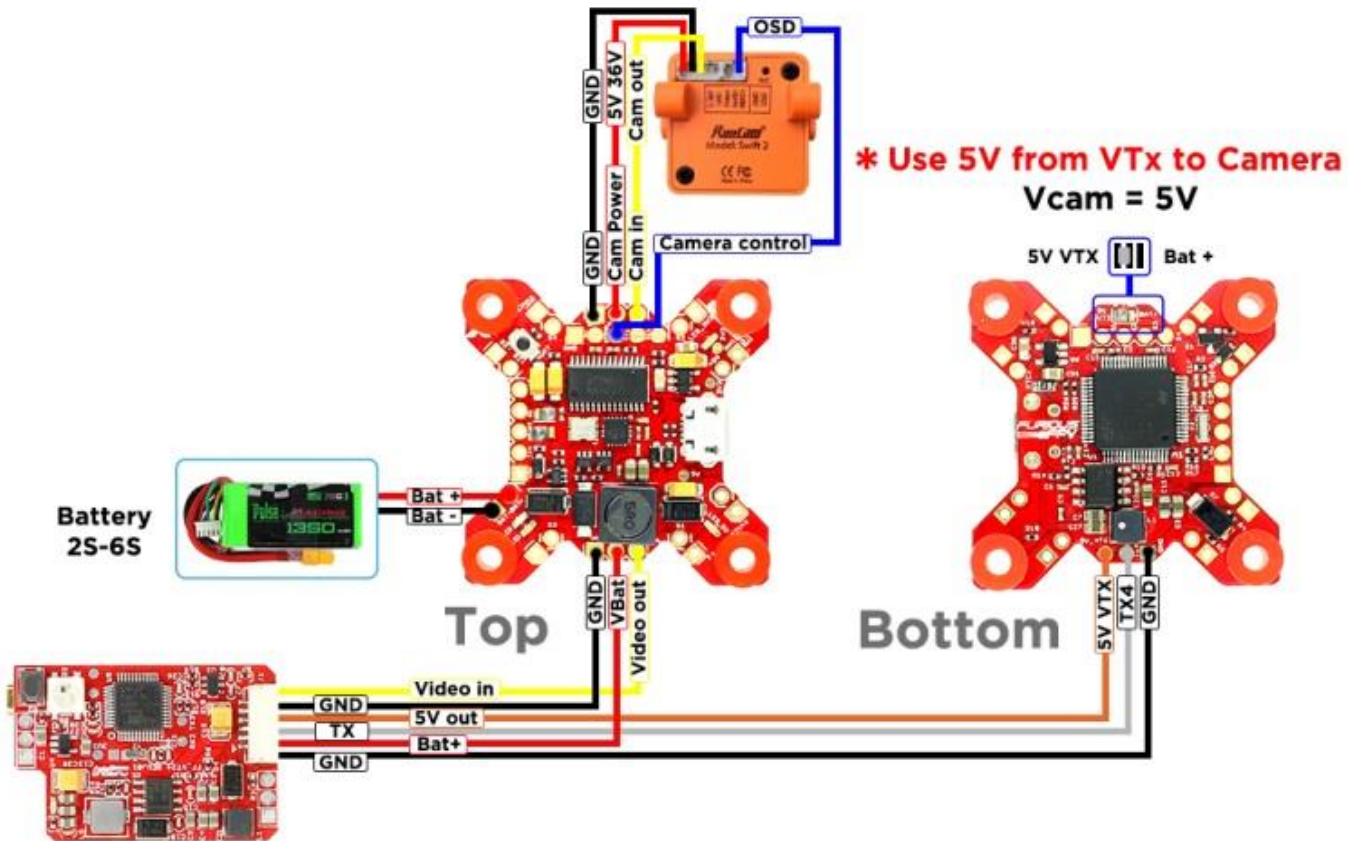
Connections

❖ Using with F-35 Lightning:

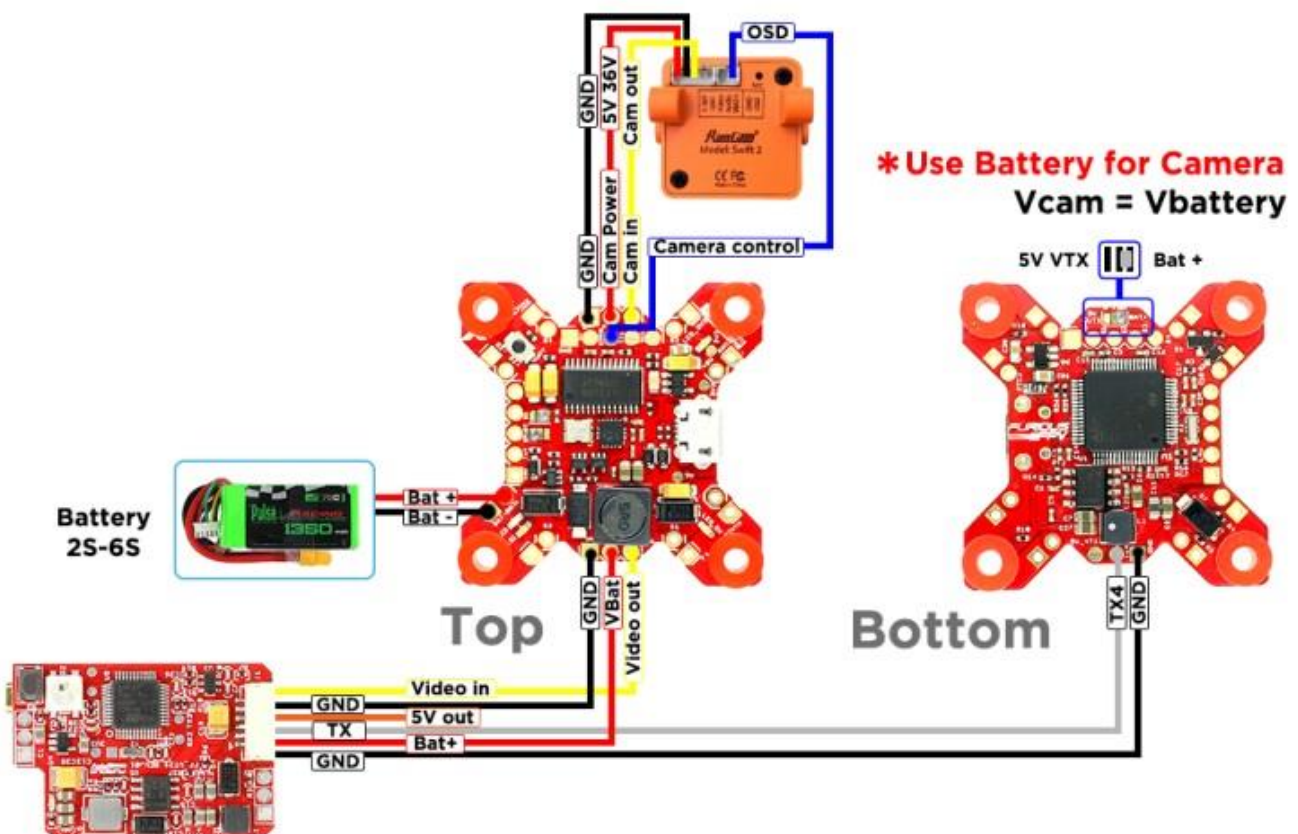


❖ Using Fortini F4 OSD:

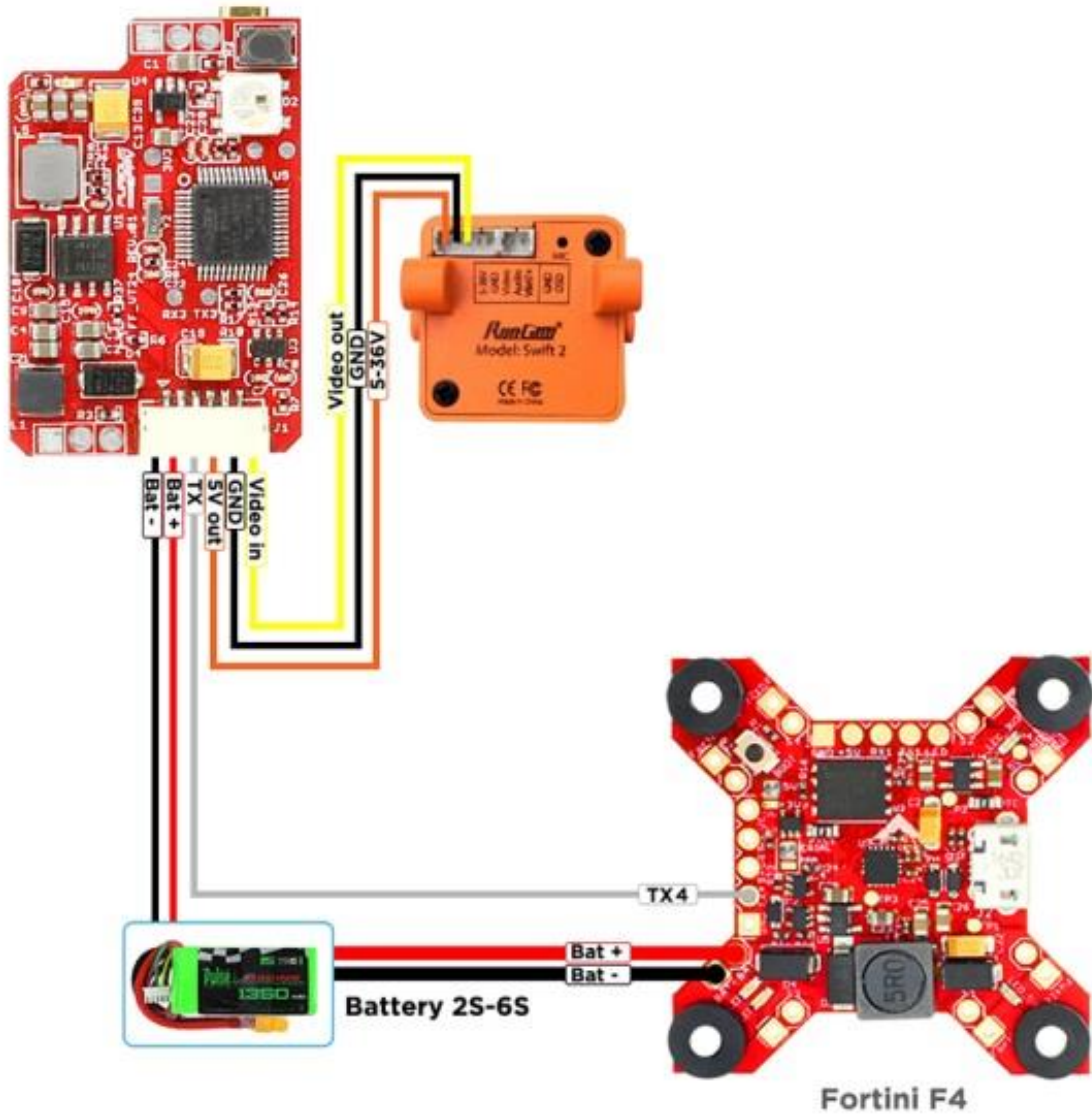
- Using 5V from VTx to power camera



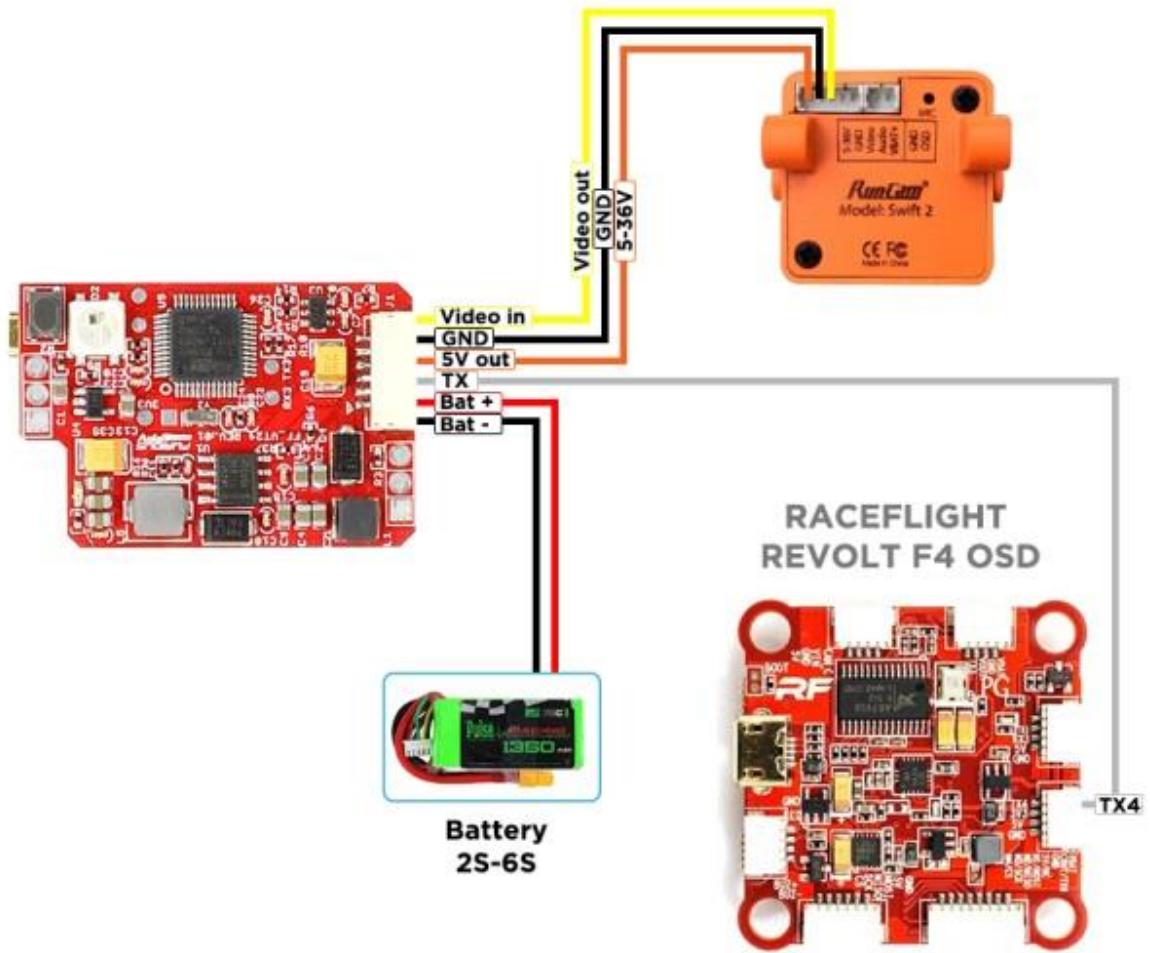
- Using battery from VTx to power camera



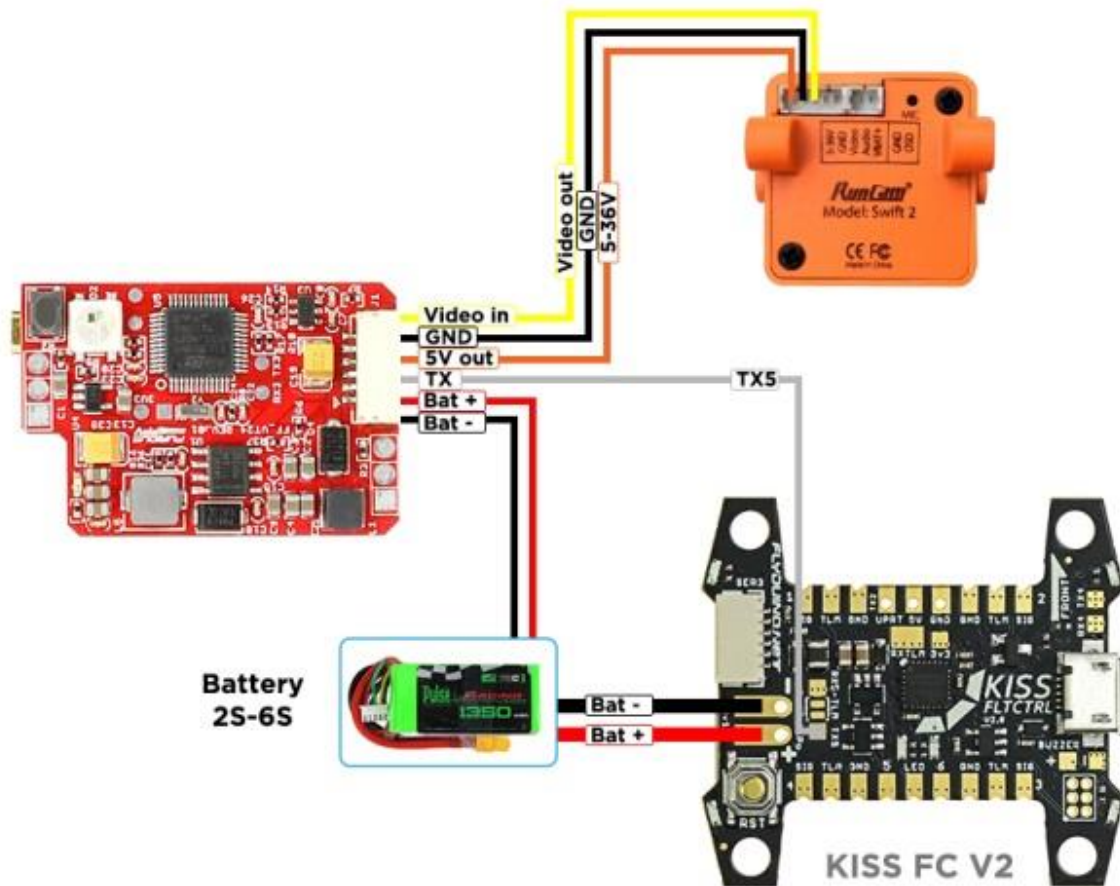
❖ Using Fortini F4:



❖ Using RaceFlight Revolt F4 OSD:



❖ Using KISS FC V2:



LEDs Status Table

LED Flash Codes for Channel, Band and Power

LED COLORS FOR CONFIGURATIONS						
Color	Mode	LED Effect				
BLUE	Channel	x1 : CH1	x2 : CH2	x3 : CH3	...	x8 : CH8
GREEN	Band	x1 : Band A	x2 : Band B			
RED	Power	x1 : 25mW	x2 : 200mW	x3 : 500mW	x4 : 800mW	
White	LED Control					

Table1: Led Colors For Configurations

NOTIFICATION SIGNALS		
Color	Description	LED Effect
Pink	Change Mode	Blink x2
Pink	Save Configurations	Blink x3
Pink	Go to LED Control Mode	Blink x4
Orange	Factory Reset	Blink x5

Table2: Notification Signals

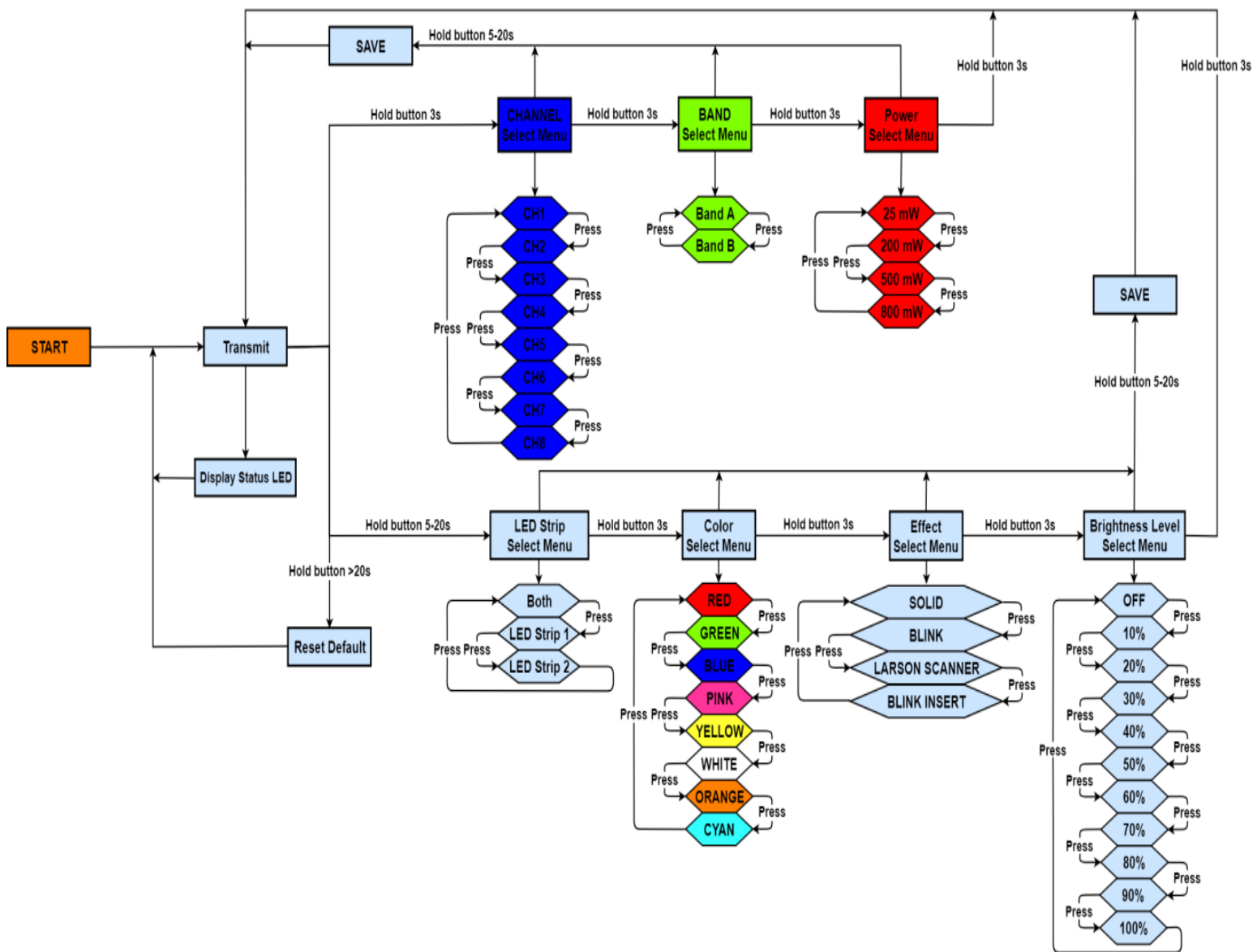
Bands, Channels and Frequencies:

Band	CH1	CH2	CH3	CH4	CH5	CH6	CH7	CH8
Band A	2410	2430	2450	2470	2370	2390	2490	2510
Band B	2414	2432	2450	2468	2411	2433	2453	2473

Set Frequency and Power by button

Default Configurations:

- **VTX:**
 - **Channel: A8**
 - **Power: 25mW**
- **LED Strip:**
 - **Color: Red**
 - **Brightness: 100%**
 - **Effect: Solid**





Thanks for using our product