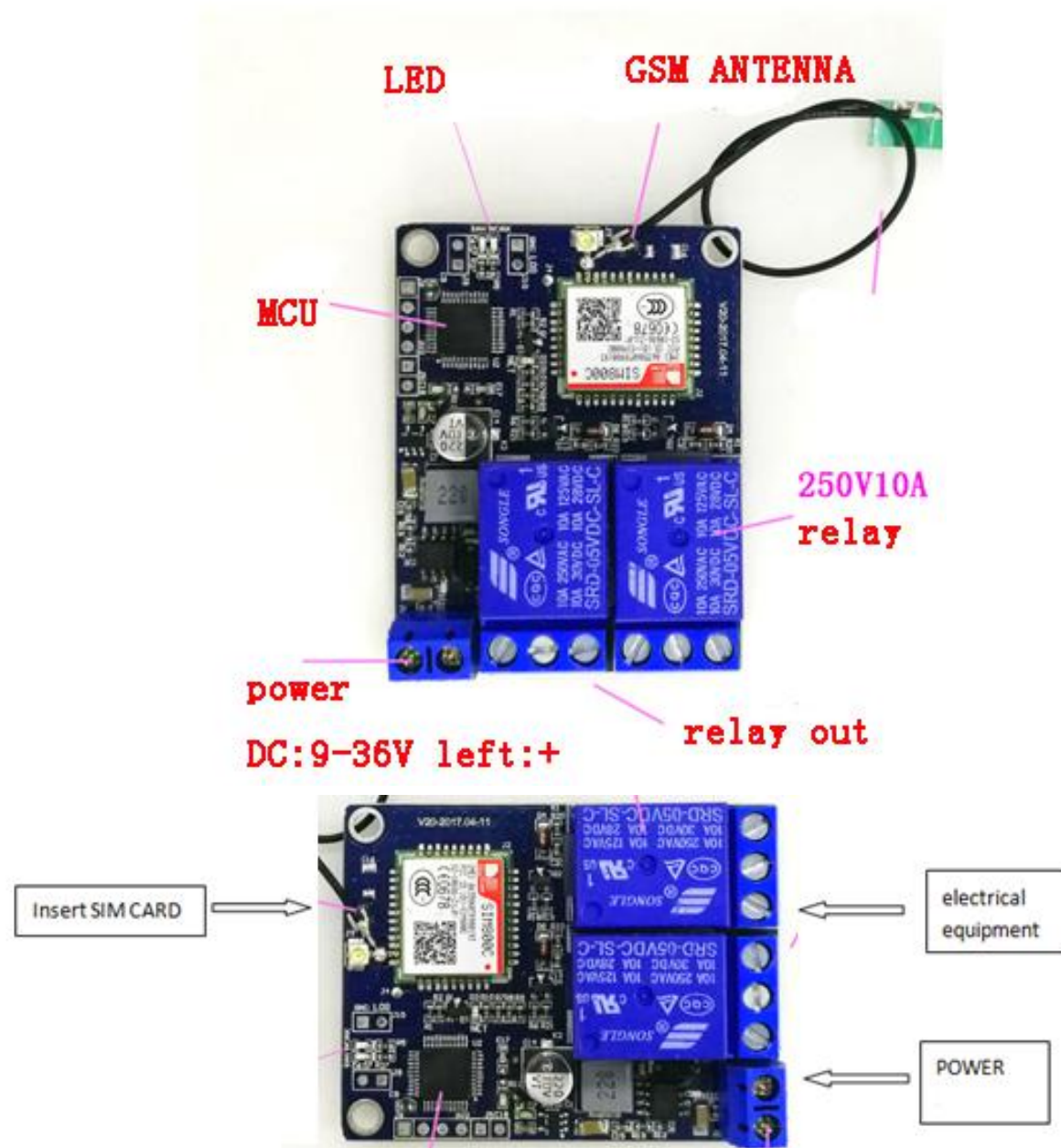


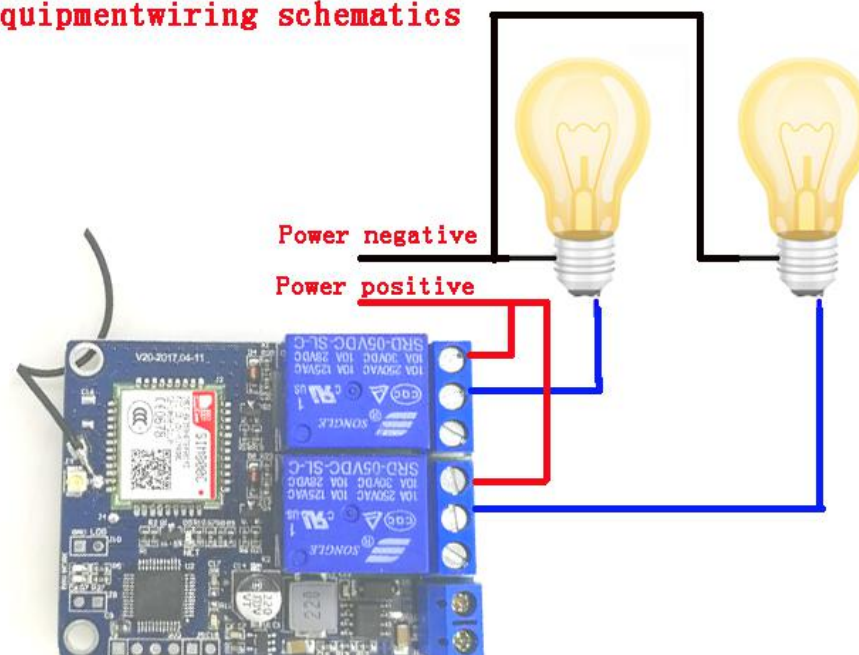
一、 Use process

- Insert SIM card
- Connect the controlled equipment
- Interventional power supply
- Waiting for equipment to start ready
- Change the Authorization number (if the device does not have the correct number)
- Send command to control relay state

二、 Hardware description



low-power equipment wiring schematics



- **Power supply interface:** Power supply voltage: 9V-36V. When using 9V power supply, the current must be guaranteed 1.0A or above.
- **Two channel Relay interface:** Using 250V 10A relay, you can directly operate most of the electrical appliances on the market. Two channel supply passive switch signal.

- **SIM Card Socket:** Insert SIM card when system powered off. (In China, please use mobile or Unicom card).
- **LED interface:** There are three LED lights named D3 D6 D7 (D7 is close to the positioning hole, D6 is close to the antenna interface). LED indicator state corresponds to the equipment working conditions are as follows, each column is one state.

Sys state	Sys power on	Sys failure	Sys configuration	Sys Ready	Sys receive message
D6	Always on	Always on	Always on	1000ms On/1000ms/Off	Alternate flicker of D6 D7
D7	Always on	On for a moment	off	Always on	Alternate flicker of D6 D7
D3	off	Flashes every other time	1000ms On/1000ms/Off	64ms On/3000ms/Off	64ms On/3000ms/Off

三、SMS command instructions:

Before using this device, please send a text message for authorization first. Then you can send a message command to control relay.

- **Authorized number configuration:** This system supports up to 3 authorization numbers. Format: *code*# NAuthorized number#, after setup successfully, the device will reply, SMS Content is: User(N) Number: number is set ok. For example, if system code is 123456, and you want to set the **first** authorized number is 18846919911, you can send the SMS: *123456*#118846919911#. the device will reply, content is: User1 Number: 18846919911 is set ok! The new authorization number is saved in the device; and you want to set the **second** authorized number is 18846919900, you can send the SMS: *123456*#218846919900#. the device will reply, content is: User2 Number: 18846919900 is set ok!. The new authorization number is saved in the device.
- **Code configuration:** Format: *6 old code number**6 new code number*. After setup successfully, the device will reply, SMS Content is: SYS Code: 6 new code numbers set ok. For example, if system code is 123456, you want to revise the new code is 666666, send the SMS: *123456**666666*. The device will reply, content is: SYS Code: 666666 Set OK. Note that only authorized number can change the code. The new code is saved in the device.

The cell phone SMS control.

- **Relay1 On command:** ON1, after successful setup, the device will reply SMS is: REALY1 set on! For example, send the SMS: ON1. Relay status will be saved.
- **Relay1 On for 1-2 second command:** SHT1, after successful setup, the device will reply SMS is: REALY1 set short! Relay status will not be saved.
- **Relay1 Off command:** OFF1, after successful setup, the device will reply, SMS Content is: REALY1 set off! Send the SMS: CMOF. Relay status will be saved.
- **Relay2 On command:** ON2, after successful setup, the device will reply SMS is: REALY2 set on! For example, send the SMS: ON2. Relay status will be saved.
- **Relay2 On for 1-2 second command:** SHT2, after successful setup, the device will reply SMS is: REALY2 set short! Relay status will not be saved.
- **Relay2 Off command:** OFF2, after successful setup, the device will reply, SMS Content is: REALY2 set off! Send the SMS: OFF2. Relay status will be saved.
- **System status query instruction:** STA. For example, sends the SMS: STA. The device will reply the state of two relay.

四、Default set

- code: 123456

