

1

2

3

4

5

6

A

A

B

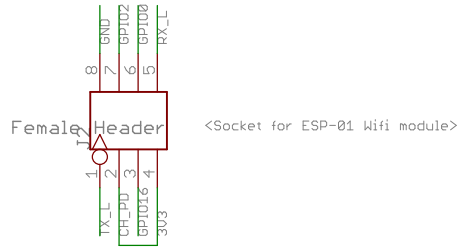
B

C

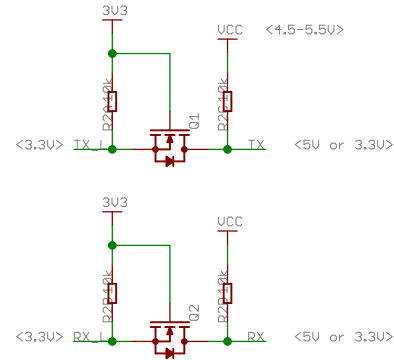
C

D

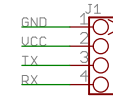
D



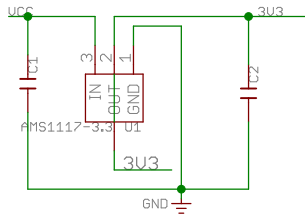
Level shift circuit



UART interface



POWER: 3.3V LDO



<http://www.dx.com>
 Store: <http://www.aliexpress.com/store/1199788>

TITLE: ESP-01 Adapter

Design: Fred.Chu

Check:

Date: 8/10/2015

Vision: v1.0

Sheet: 1/1

1

2

3

4

5

6