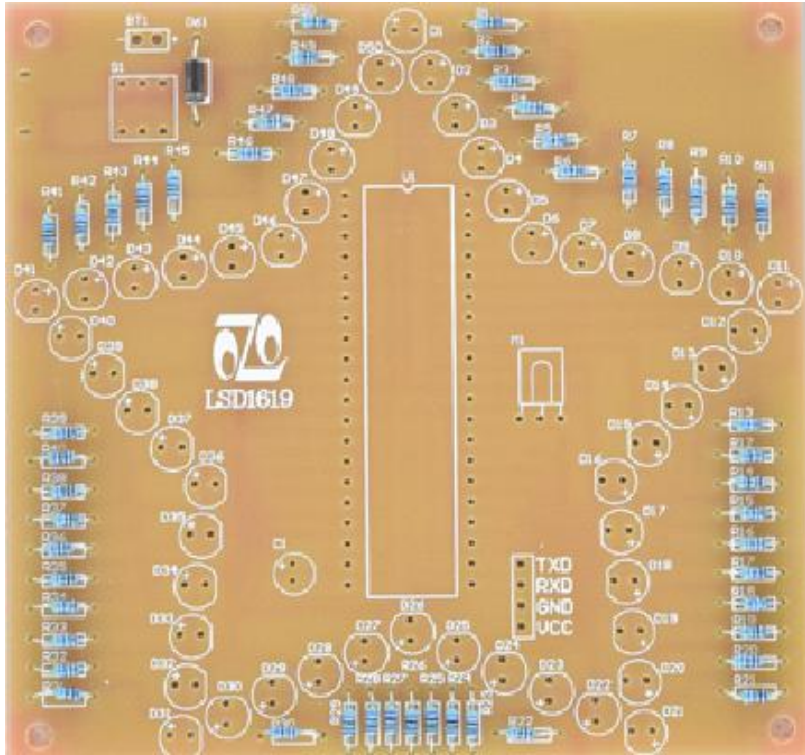
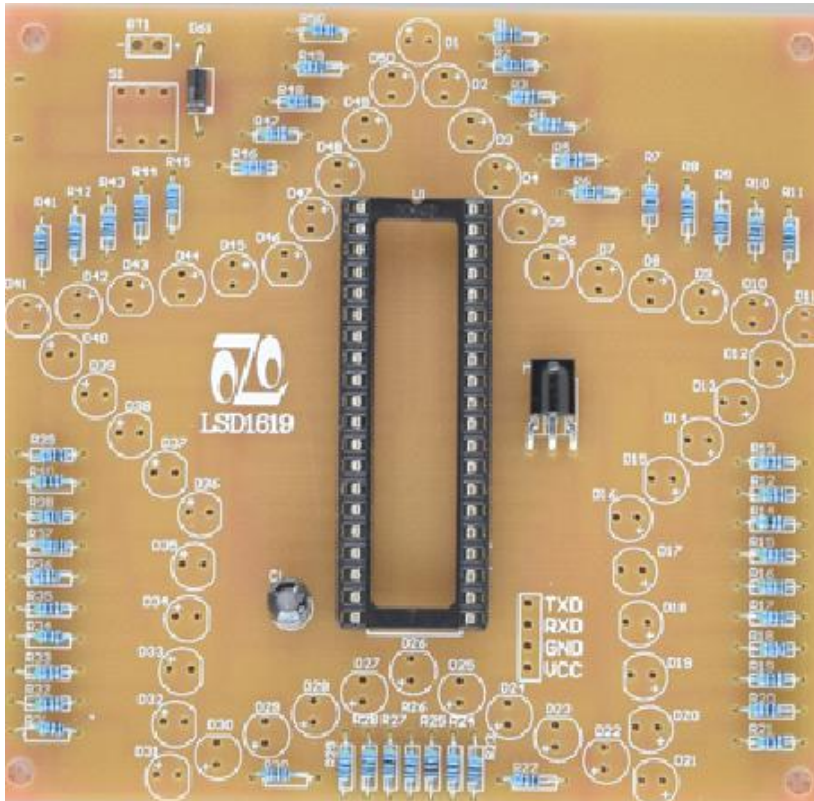


Soldering instruction

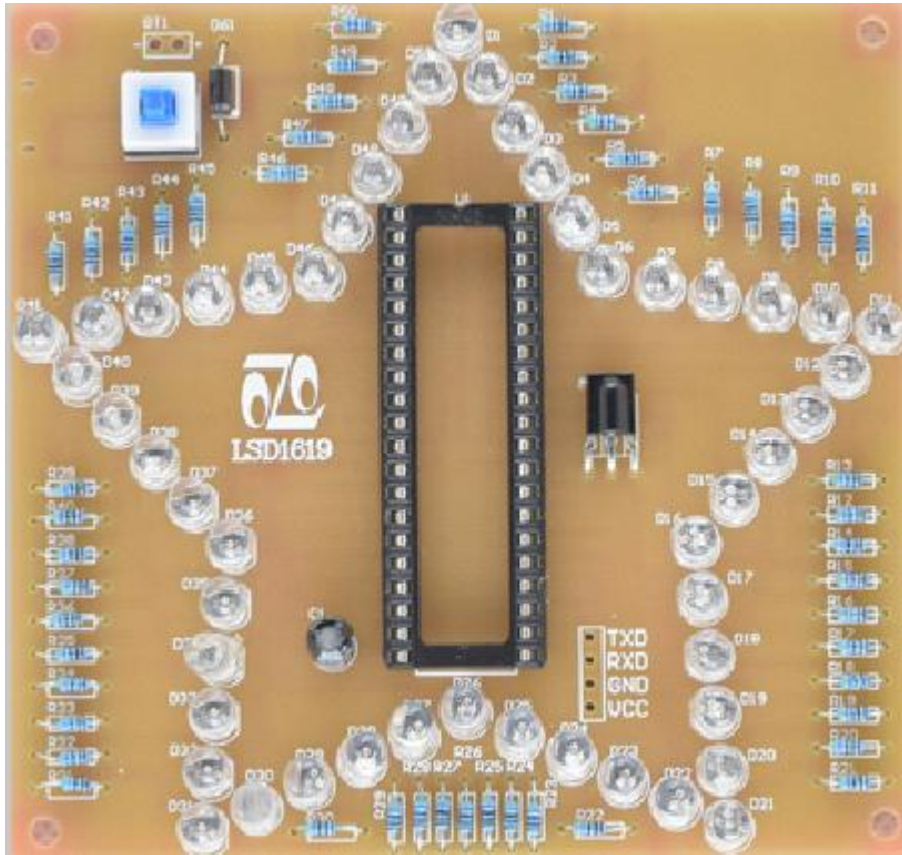
1. Soldering resistance and diode (the white side of the diode should corresponding to the white stripes on the circuit board)



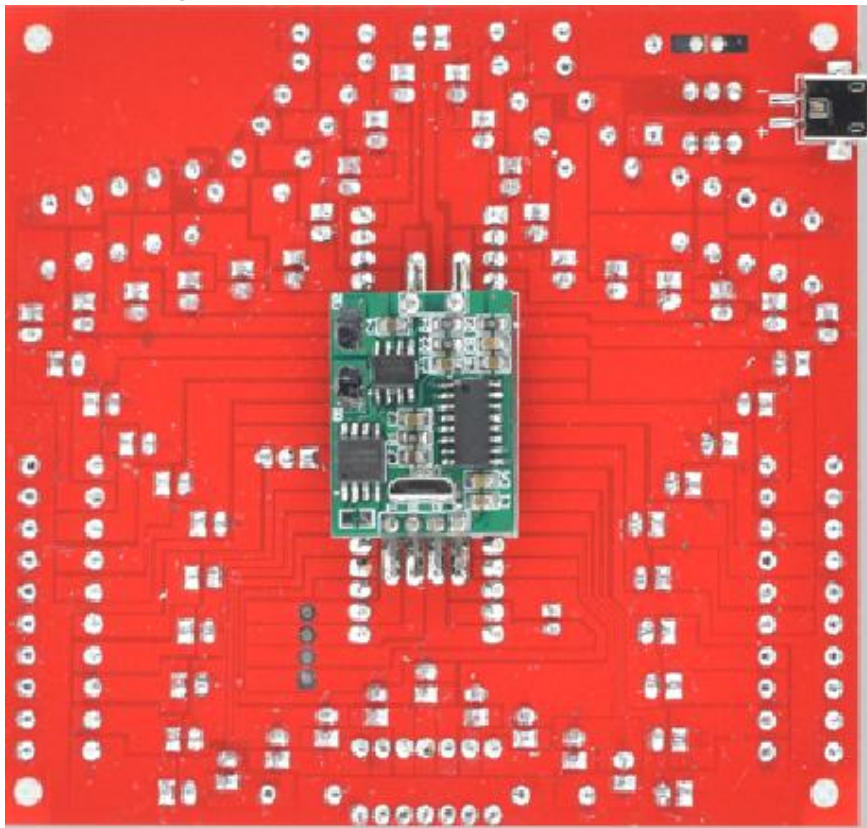
2. Soldering IC block, infrared receiver and electrolytic capacitor (Note the direction of the IC block gap and the electrolytic capacitor's direction of positive and negative)



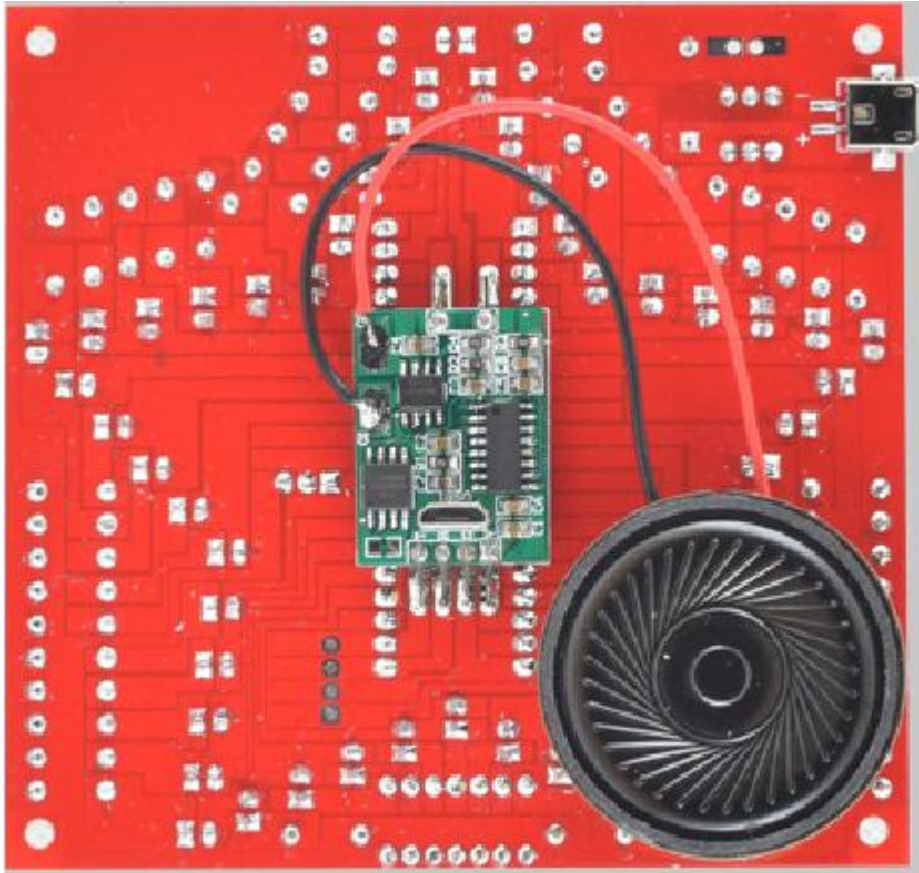
3. Soldering LED and power switch (note the LED's positive and negative)



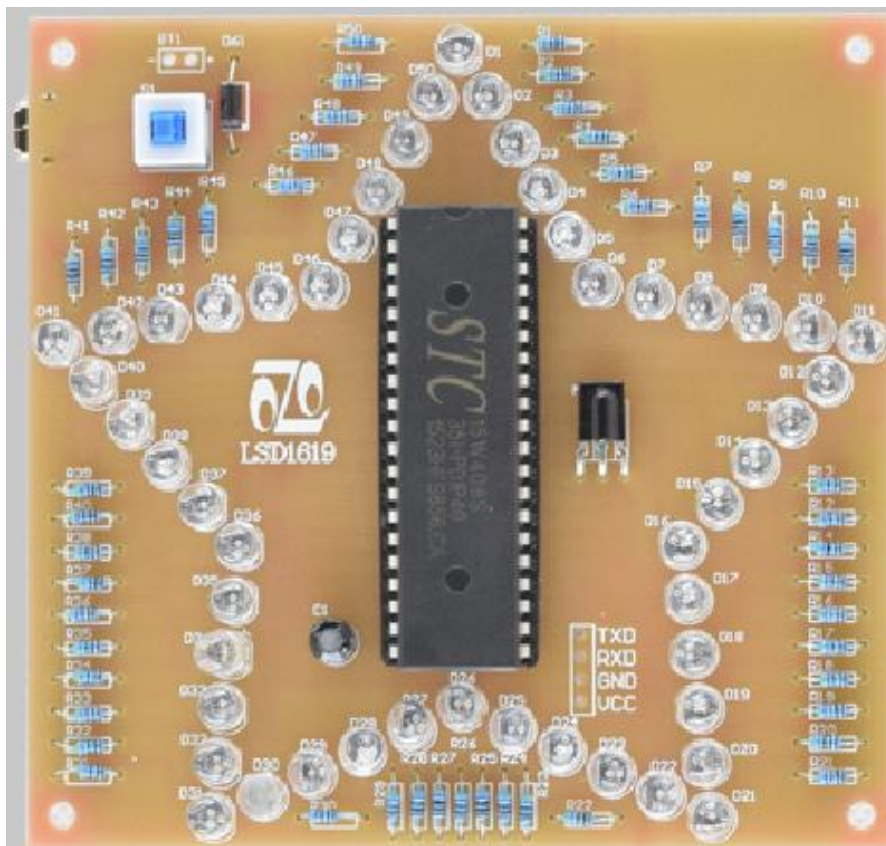
4. Soldering power connector and MP3 module in the back side (should add more tins to ensure a solid soldering)



- The speaker wire soldered to the MP3 module's 01 and 02, and stick it to the bottom right corner of the board.



- After soldering plug the IC in (note the direction of the gap)



Housing installation:

